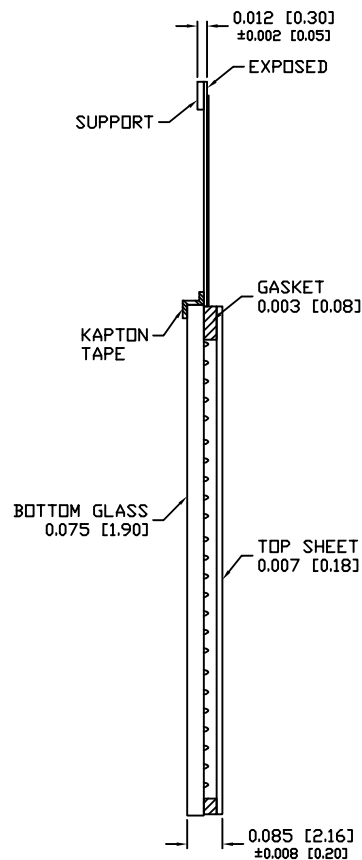
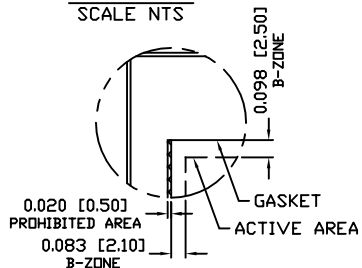


# SENSOR SPECIFICATION

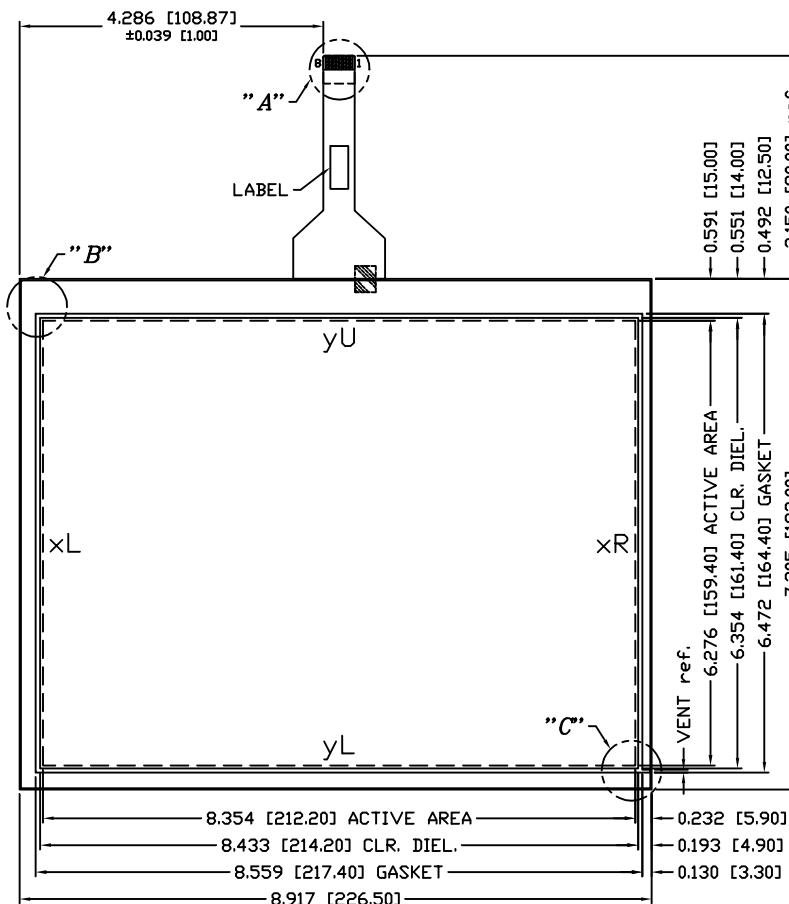
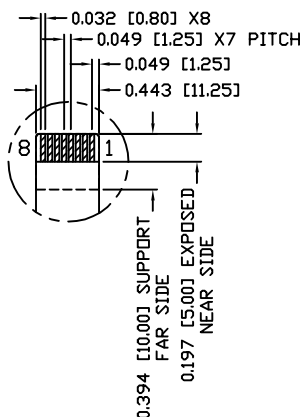
LINEARITY	ACTUATION FORCE	OPTICAL PER.
±1.5% AVG. 3% MAX. DEV.	0.10 N (10 g) Min., 0.79 N (80 g) Max. STYLUS: R0.8 TIP, FINGER: R3.0 TIP	79% TRANSPARENCY PER JIS K7361-1

REVISIONS		DATE
ECO #	DESCRIPTION	DATE
ECO #200713		07/22/10

**Detail B**  
SCALE NTS



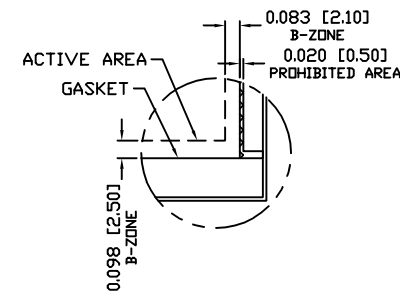
**Detail A**  
SCALE NTS



**GENERAL NOTES:**

1. TOP FILM OFFSET FROM BOTTOM GLASS 0.020 [0.50].
2. MAX. VOLTAGE & CURRENT: 5 VDC, LESS THEN 1mA AT CONTACT POINT FROM TOP LAYER TO BOTTOM LAYER.
3. OPERATION TEMPERATURE: -10° TO 60°C
4. OPERATION HUMIDITY: < 40°C 20% to 95% RH NO CONDENSATION.
5. STORAGE TEMPERATURE: -20°C TO 70°C
6. FFC BEND R > 2.0MM NO SHARP CREASE
7. SURFACE HARDNESS: 3H AS PER JIS K 5400
8. COSMETIC INSPECTION: GRADE 3x
9. TERMINAL RESISTANCE: 5YU-8YL = 240-750Ω 3XL-4XR = 250-640Ω

**Detail C**  
SCALE NTS



PINOUT	
1	XR REF.
2	XL REF.
3	XL
4	XR
5	YU
6	YU REF.
7	YL REF.
8	YL

CAD DRAWING	DEC. TOLERANCES: .XXX = ±0.020 [.XX] = ±[0.51]	DESIGNER: RPESINA 06/10/08	
THIS DRAWING EMBODIES A PROPRIETARY DESIGN ORIGINATED BY GUNZE ELECTRONICS USA CORPORATION AND SHALL NOT BE REPRODUCED, USED, OR DUPLICATED FOR PROCUREMENT OR MANUFACTURING PURPOSES, UNLESS SPECIFICALLY AUTHORIZED BY GUNZE ELECTRONICS USA CORPORATION. ALL PATENT RIGHTS RELATING HERETO ARE EXPRESSLY RESERVED FOR GUNZE ELECTRONICS USA CORPORATION.  This notice shall be marked on any reproduction hereof in whole or part.	CHKD.	06/10/08	
	DESIGN ENG.	LHRUIZ 06/10/08	
	DIM CODE: INCHES [MILLIMETERS]	VIEW POINT:	
	CUSTOMER PART:	MATERIAL SPEC.	RLSE: 07/22/10

<b>GUNZE USA</b>	
Gunze Electronics USA Corporation 2113 Wells Branch Parkway Austin, Texas 78728	
TITLE: G27-01 SENSOR, 10.4D 8-WIRE	
PART NO.	100-0351
SCALE:	1 : 1
CUSTOMER ID:	GUNZE USA
REVISION:	0