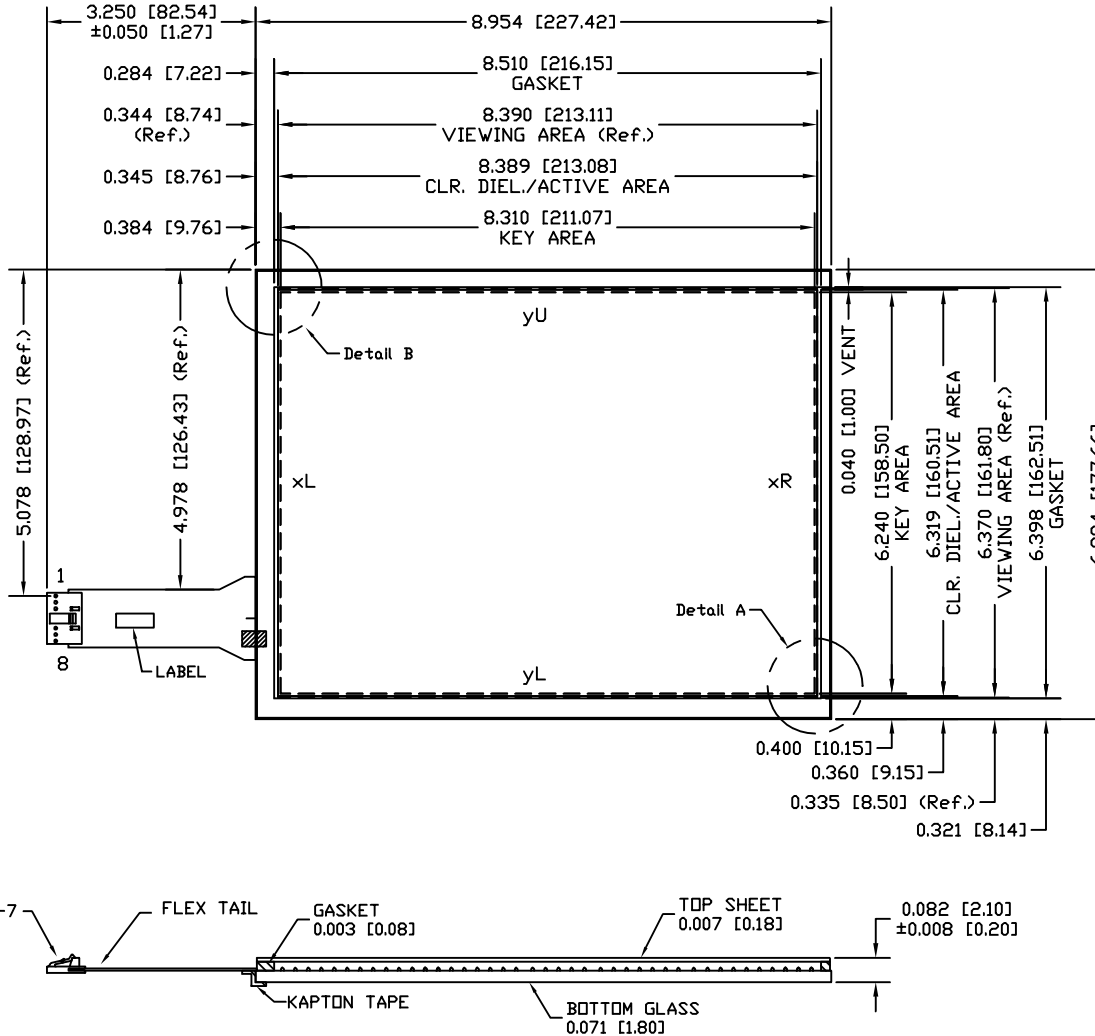
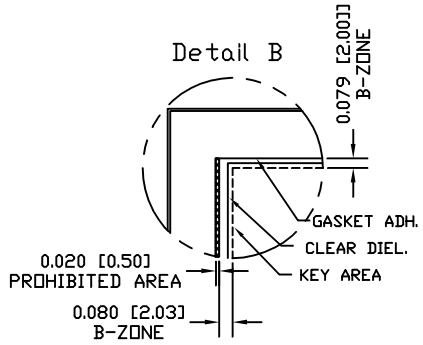


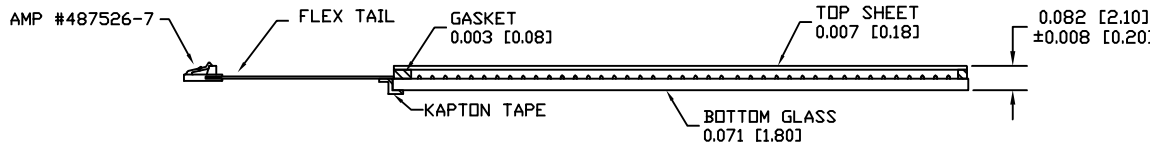
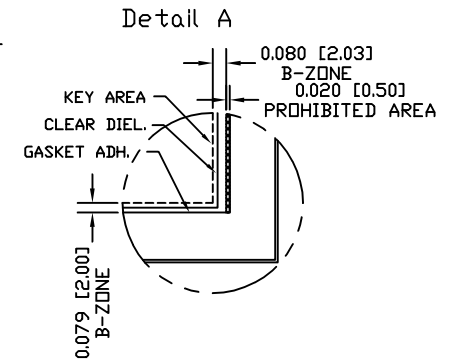
SENSOR SPECIFICATION

LINEARITY	ACTUATION FORCE	OPTICAL PER.
±1.5% AVG 3% MAX. DEV.	0.10 N (10 g) Min., 0.8N (80 g) Max. FINGER OR STYLUS, R0.8 TIP	79% TRANSPARENCY As per JIS K7361-1

REVISIONS		
REV.	DESCRIPTION	DATE
0	PRELIMINARY DESIGN	01/26/07
1	ECD #870703	07/19/07
2		
3		
4		
5		
6		
7		



- GENERAL NOTES:**
- TOPSHEET FROM BOTTOM OFFSET 0.020 [0.50] FROM PERIMETERS EDGE.
 - MAX. VOLTAGE & CURRENT: 5 VDC, LESS THEN 1mA AT CONTACT POINT FROM TOP LAYER TO BOTTOM LAYER.
 - COSMETIC INSPECTION: GUNZE GRADE 3X
 - OPERATION TEMPERATURE: -10°C TO 60°C
 - OPERATION HUMIDITY: < 40°C 20% to 95% RH NO CONDENSATION.
 - STORAGE TEMPERATURE: -20°C TO 70°C
 - FFC BEND R > 2.0mm.
 - SURFACE HARDNESS 3H (As per JIS K 5400.)
 - TERMINAL RESISTANCE:
xR-xL = 250-760 Ohms
yU-yL = 240-830 Ohms



PINOUT

1	yU	T Exite
2	yU ref	T Sense
3	xL ref	L Sense
4	xL	L Exite
5	yL	B Exite
6	yL ref	B Sense
7	xR ref	R Sense
8	xR	R Exite

CAD DRAWING	DEC. TOLERANCES:	DESIGNER:
NOTICE THIS DRAWING EMBODIES A PROPRIETARY DESIGN ORIGINATED BY GUNZE ELECTRONICS USA CORPORATION AND SHALL NOT BE DISCLOSED, USED, OR DUPLICATED FOR PROCUREMENT OR MANUFACTURING PURPOSES, UNLESS SPECIFICALLY AUTHORIZED BY GUNZE ELECTRONICS USA CORPORATION. ALL PATENT RIGHTS RELATING HERETO ARE EXPRESSLY RESERVED FOR GUNZE ELECTRONICS USA CORPORATION. This notice shall be marked on any reproduction hereof in whole or part.	.XXX = ±0.020 [.XX] = ±[0.51]	PLONG 01/26/07
	ANGULAR TOL. = ±1° FRAC. TOL. X/X = ±1/16	CHKD:
	DIM CODE: INCHES [MILLIMETERS]	DESIGN ENG:
	CUSTOMER PART#	LHRUIZ 01/26/07
MATERIAL SPEC.	VIEW POINT:	
	RLSE:	07/24/07

GUNZE USA	
Gunze Electronics USA Corporation 2113 Wells Branch Parkway Austin, Texas 78728	
TITLE: (PL 8 10.4) SENSOR 10.4D, 8-WIRE	
PART NO:	SCALE:
100-0731	2:
CUSTOMER ID:	REVISION:
GUNZE USA	0