

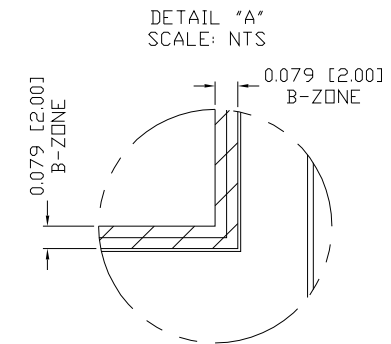
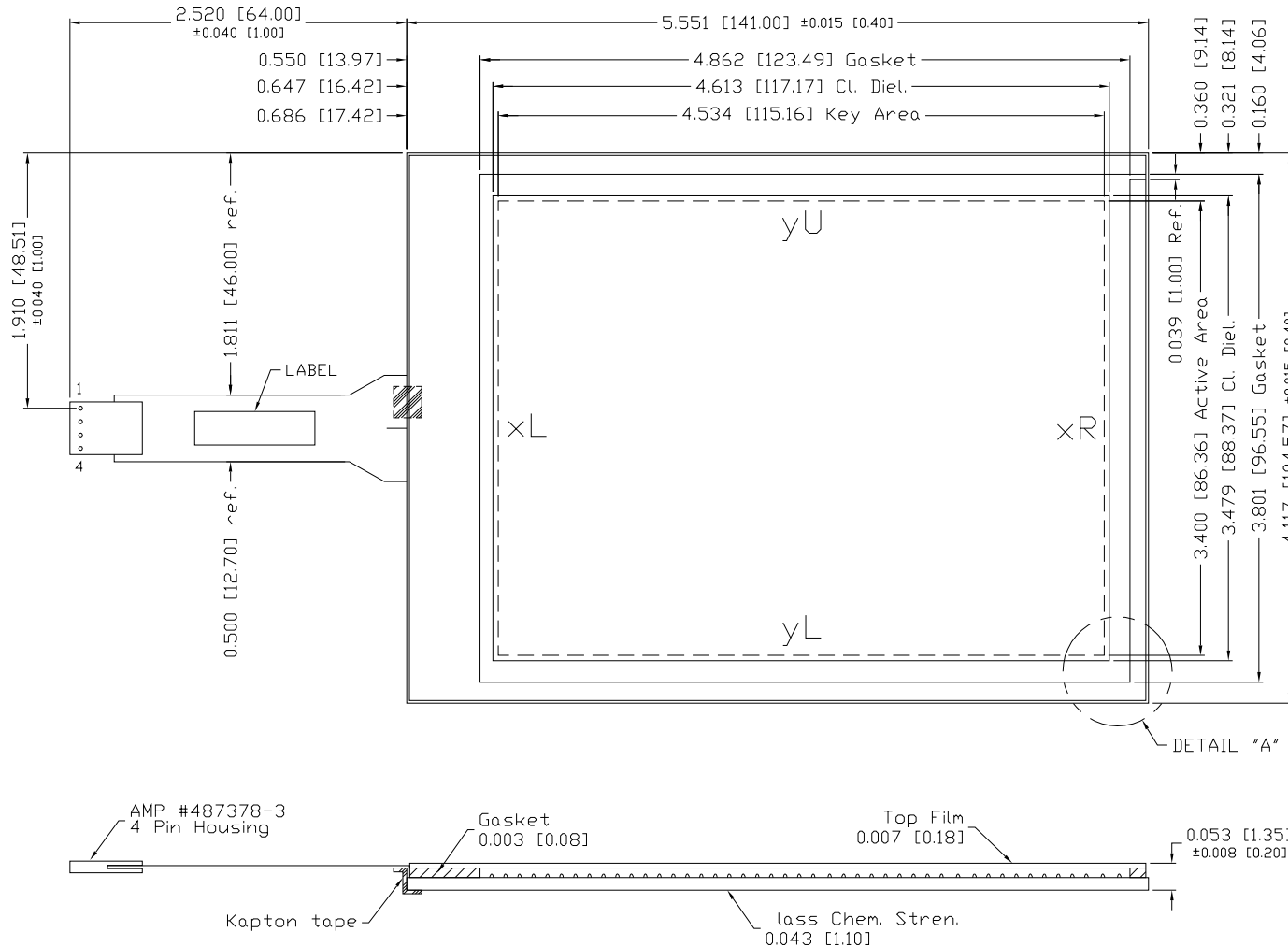
SENSOR SPECIFICATION

LINEARITY	ACTUATION FORCE	OPTICAL PER.
±1.5% AVG. 3% MAX. DEV.	0.10 N (10 g) Min., 0.79 N (80 g) Max. STYLUS: R0.8 TIP OR FINGER	79% TRANSPARENCY PER JIS K7361-1

REVISIONS		
REV.	DESCRIPTION	DATE
0	INITIAL RELEASE	02/02/07
A	ECD #21114 Tol Dielectric Ink Change	12/19/11
B		
C		
D		
E		
F		
G		

GENERAL NOTES:

1. TOPSHEET 0.02 [0.50] FROM GLASS PERIMETER ALL AROUND.
2. MAX. VOLTAGE & CURRENT: 5 VDC, LESS THEN 1mA AT CONTACT POINT FROM TOP LAYER TO BOTTOM LAYER.
3. COSMETIC INSPECTION: GUNZE GRADE 3x
4. OPERATION TEMPERATURE: -10°C TO 60°C
5. HUMIDITY: < 40°C 20% to 95% RH NO CONDENSATION.
6. STORAGE TEMPERATURE: -20°C TO 70°C
7. FFC BEND R > 2.0MM NO SHARP CREASE
8. SURFACE HARDNESS 3H PER JIS-K5600-5-4
9. TERMINAL RESISTANCE
YU-YL = 250-770Ω
XR-XL = 240-660Ω



PIN	OUT
1	yU
2	yL
3	xL
4	xR

CAD DRAWING NOTICE <small>THIS DRAWING EMBODIES A PROPRIETARY DESIGN ORIGINATED BY GUNZE ELECTRONICS USA CORPORATION AND SHALL NOT BE DISCLOSED, USED, OR DUPLICATED FOR PROCUREMENT OR MANUFACTURING PURPOSES, UNLESS SPECIFICALLY AUTHORIZED BY GUNZE ELECTRONICS USA CORPORATION. ALL PATENT RIGHTS RELATING HERETO ARE EXPRESSLY RESERVED FOR GUNZE ELECTRONICS USA CORPORATION. This notice shall be marked on any reproduction hereof in whole or part.</small>	DEC. TOLERANCES: .XXX = ±0.020 [.XX] = ±[0.51] ANGULAR TOL. = ±1° FRAC. TOL. XX = ±1/16 DIM CODE: [INCHES] [MILLIMETERS] CUSTOMER PART#: RES-5.7-PL4 MATERIAL SPEC.	DESIGNER: LHRUIZ 02/02/07 CHKD. DESIGN ENG: LHRUIZ 02/02/07 VIEW POINT: RLS: 12/19/11	Gunze Electronics USA Corporation 2113 Wells Branch Parkway Austin, Texas 78728 TITLE: SENSOR 5.7D, 4-WIRE PART NO. 100-0760 SCALE: 2: CUSTOMER ID: GUNZE USA REVISION: A
-----------------------------------------------------------------------------------------------------------------------------------------------------------------------------------------------------------------------------------------------------------------------------------------------------------------------------------------------------------------------------------------------------------------------------------------------------------------------------------------------	--------------------------------------------------------------------------------------------------------------------------------------------------------------------------------------------------------	-----------------------------------------------------------------------------------------------------------------	--------------------------------------------------------------------------------------------------------------------------------------------------------------------------------------------------------------------------------