

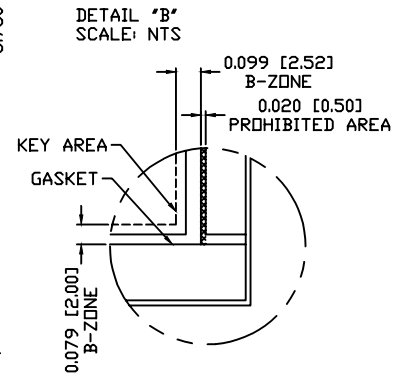
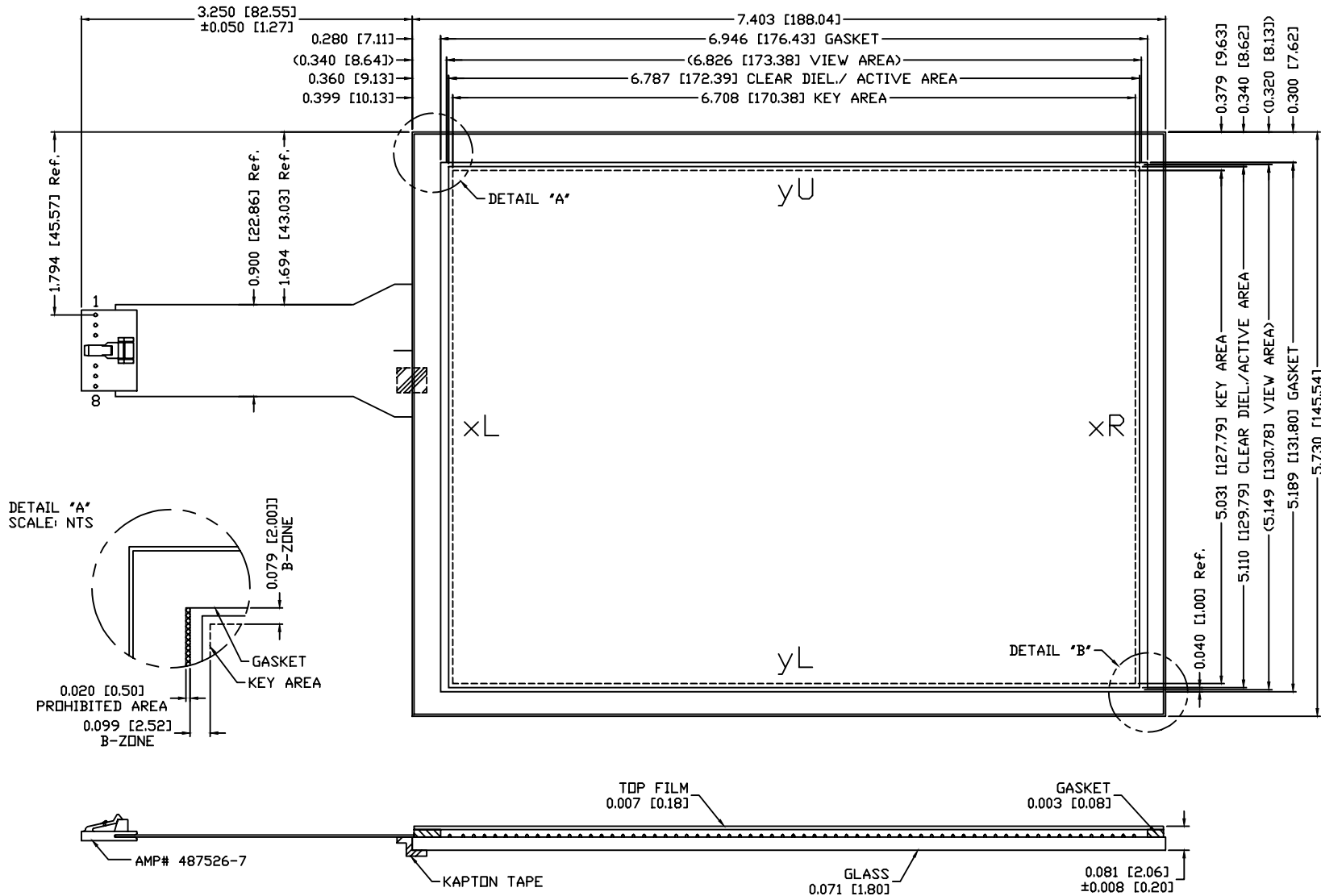
SENSOR SPECIFICATION

LINEARITY	ACTUATION FORCE	OPTICAL PER.
±1.5% AVE 3% MAX. DEV.	0.10 N (10 g) Min., 0.80N (80 g) Max. STYLUS: R0.8 TIP, FINGER: R3.0 TIP	79% TRANSPARENCY PER JIS K7361-1

REVISIONS		
LTR	DESCRIPTION	DATE
0	INITIAL RELEASE	02/06/07
1		
2		
3		
4		
5		
6		
7		

GENERAL NOTES:

1. TOP ELECTRODE OFFSET FROM GLASS PERIMETER 0.020 [0.50]
2. MAX. VOLTAGE & CURRENT: 5 VDC, LESS THEN 1mA AT CONTACT POINT FROM TOP LAYER TO BOTTOM LAYER.
3. OPERATION TEMPERATURE: -10°C TO 60°C
4. OPERATION HUMIDITY: < 40°C 20 - 95% RH NO DEW CONDENSATION ALLOWED
5. STORAGE TEMPERATURE: -20°C TO 70°C
6. BEND FLEXTAIL > 2.0mm NO SHARP CREASE
7. SURFACE HARDNESS: 3H AS PER JIS K 5400
8. COSMETIC INSPECTION: GRADE 3x
9. TERMINAL RESISTANCE:
YU-YL = 240-780Ω
XR-XL = 250-690Ω



PIN OUT		
1	XR	RIGHT EXCITE
2	XR REF	RIGHT SENSE
3	YU REF	TOP SENSE
4	YU	TOP EXCITE
5	XL	LEFT EXCITE
6	XL REF	LEFT SENSE
7	YL REF	BOT. SENSE
8	YL	BOT. EXCITE

CAD DRAWING NOTICE

THIS DRAWING EMBODIES A PROPRIETARY DESIGN ORIGINATED BY GUNZE ELECTRONICS USA CORPORATION AND SHALL NOT BE DISCLOSED, USED, OR DUPLICATED FOR PROCUREMENT OR MANUFACTURING PURPOSES, UNLESS SPECIFICALLY AUTHORIZED BY GUNZE ELECTRONICS USA CORPORATION. ALL PATENT RIGHTS RELATING HERETO ARE EXPRESSLY RESERVED FOR GUNZE ELECTRONICS USA CORPORATION.

This notice shall be marked on any reproduction hereof in whole or part.

DEC. TOLERANCES:
XXX = ±0.020
[.XX] = ±[0.51]

ANGULAR TOL. = ±1°
FRAC. TOL. XX = ±1/16

DIM CODE: [INCHES] [MILLIMETERS]

CUSTOMER PART#

MATERIAL SPEC.

DESIGNER: VTRINH 02/06/07
CHKD:

DESIGN ENG. LHRUIZ 02/06/07
VIEW POINT:

02/06/07

Gunze Electronics USA Corporation
2113 Wells Branch Parkway
Austin, Texas 78728

TITLE: **3M PL8 8.4 E2 SENSOR, 8.4D 8-WIRE**

PART NO. 100-0770	SCALE: 2:1
CUSTOMER ID: GUNZE USA	REVISION: 0