

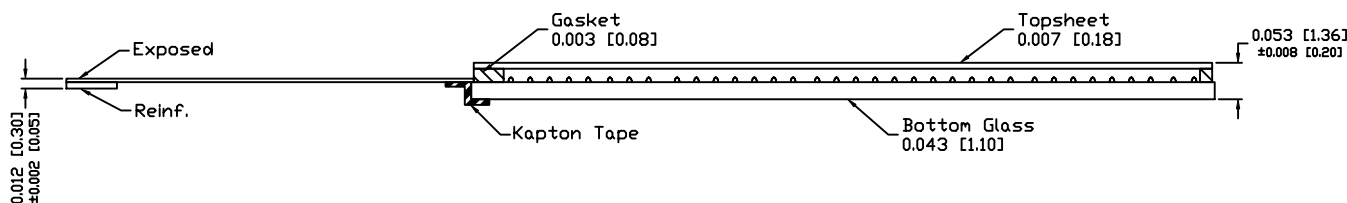
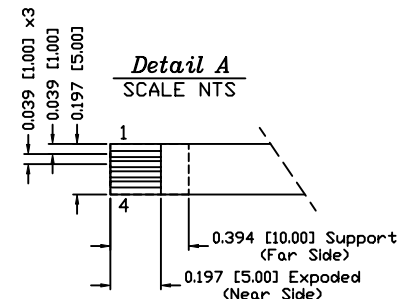
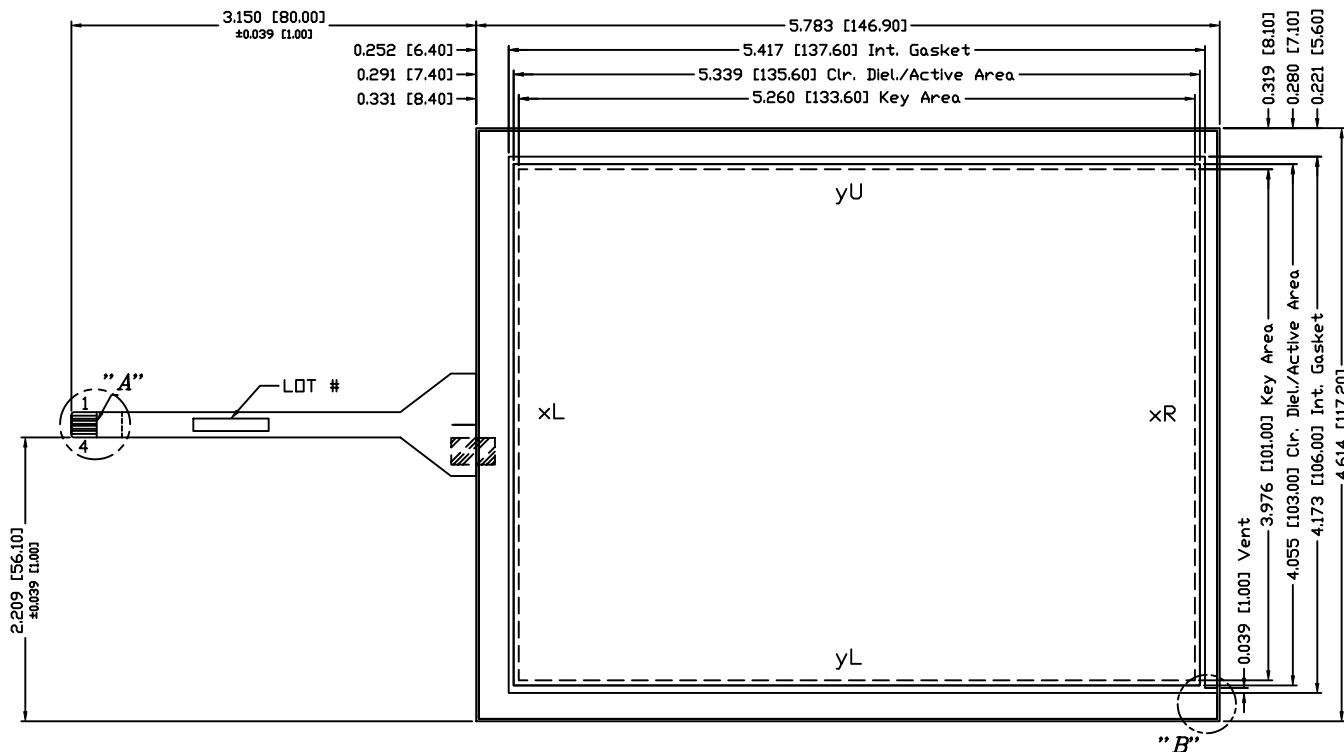
SENSOR SPECIFICATION

LINEARITY	ACTUATION FORCE	OPTICAL PER.
±1.5% AVE 3% MAX. DEV.	0.10 N (10 g) Min., 0.79 N (80 g) Max. STYLUS: R0.8 TIP, FINGER: R3.0 TIP	79% TRANSPARENCY PER JIS K7361-1

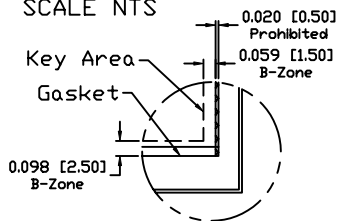
REVISIONS		
REV.	DESCRIPTION	DATE
0	INITIAL RELEASE	08/05/08
A	ECD# 290110	01/19/08
2		
3		
4		
5		
6		
7		

GENERAL NOTES:

1. TOP FILM OFFSET FROM BOTTOM GLASS 0.020 [0.50].
2. MAX. VOLTAGE & CURRENT: 5 VDC, LESS THEN 1mA AT CONTACT POINT FROM TOP LAYER TO BOTTOM LAYER.
3. OPERATION TEMPERATURE: -10° TO 60°C
4. OPERATION HUMIDITY: < 40°C 20% to 95% RH NO CONDENSATION.
5. STORAGE TEMPERATURE: -20°C TO 70°C
6. FFC BEND R > 2.0MM NO SHARP CREASE
7. SURFACE HARDNESS: 3H AS PER JIS K 5400
8. COSMETIC INSPECTION: GRADE 3x
9. TERMINAL RESISTANCE:
2YU-4YL = 250-690Ω
1XR-3XL = 240-600Ω



Detail B
SCALE NTS



PINOUT

1	XR
2	YU
3	XL
4	YL

**CAD DRAWING
NOTICE**

THIS DRAWING EMBODIES A PROPRIETARY DESIGN ORIGINATED BY GUNZE ELECTRONICS USA CORPORATION AND SHALL NOT BE DISCLOSED, USED, OR DUPLICATED FOR PROCUREMENT OR MANUFACTURING PURPOSES, UNLESS SPECIFICALLY AUTHORIZED BY GUNZE ELECTRONICS USA CORPORATION. ALL PATENT RIGHTS RELATING HERETO ARE EXPRESSLY RESERVED FOR GUNZE ELECTRONICS USA CORPORATION.
This notice shall be marked on any reproduction hereof in whole or part.

DEC. TOLERANCES: XXX = ±0.020 [.XX] = ±[0.51]	
ANGULAR TOL. = ±1° FRAC. TOL. XXX = ±1/16	
DIM CODE:	INCHES [MILLIMETERS]
FINISH:	F44572
MATERIAL SPEC.	

DESIGNER: KHILLIARD 08/05/08 CHKD.	DESIGN ENG. LHRUIZ 08/05/08
VIEW POINT: 	
FLSE: 08/05/08	REVISION: A

Gunze Electronics USA Corporation
2113 Wells Branch Parkway
Austin, Texas 78728

**TITLE: ELO 6.4D # F44572
SENSOR, 6.4D 4-WIRE**

PART NO. 100-1430	SCALE: 2 : 1
CUSTOMER ID: GUNZE USA	REVISION: A