

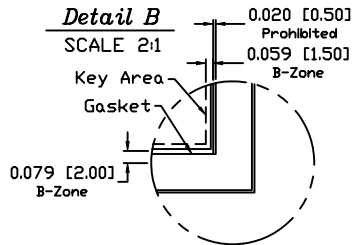
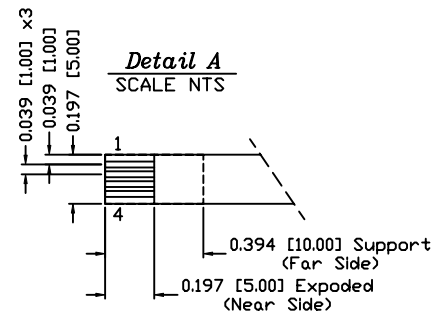
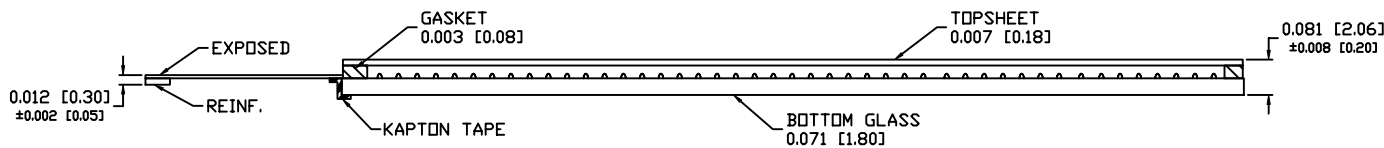
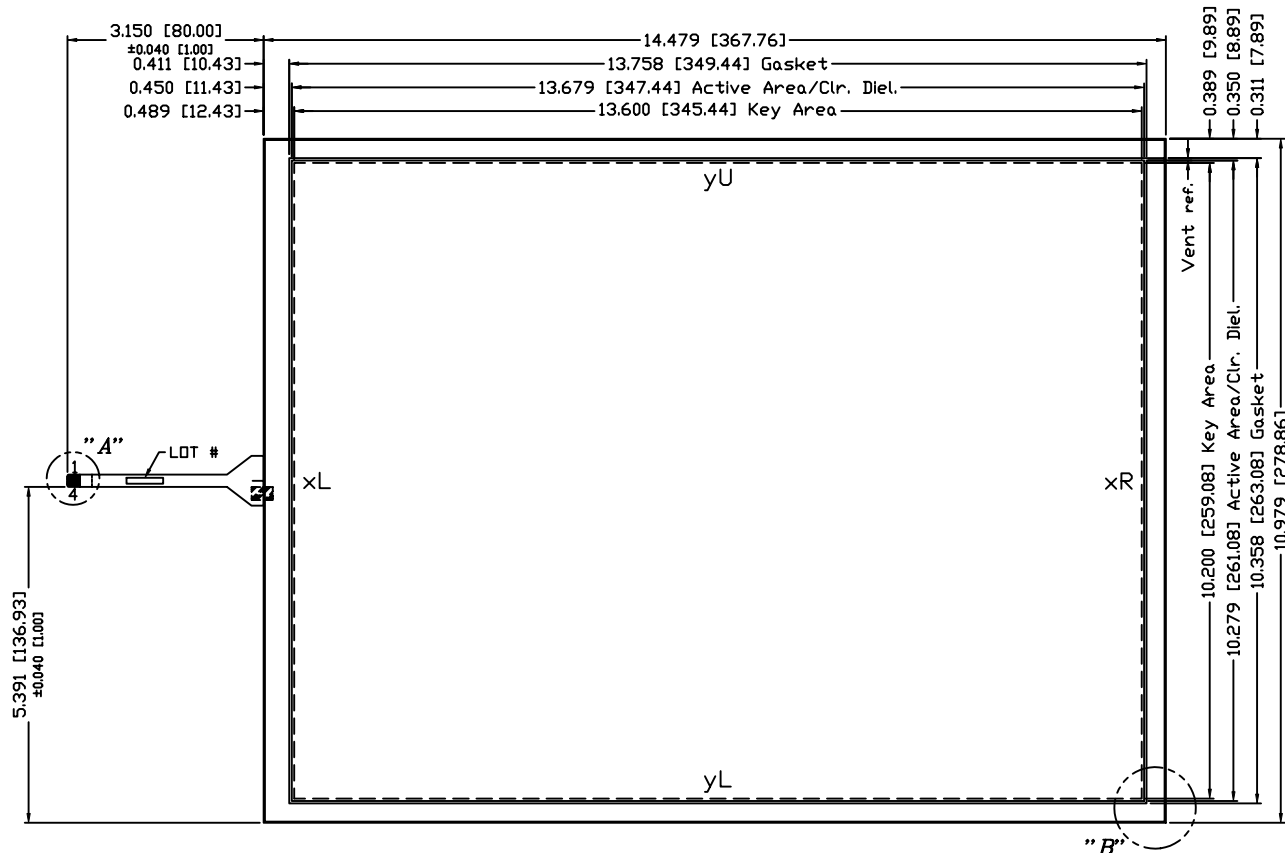
SENSOR SPECIFICATION

LINEARITY	ACTUATION FORCE	OPTICAL PER.
±1.5% AVE 3% MAX. DEV.	0.10 N (10 g) Min., 0.79 N (80 g) Max. STYLUS: R0.8 TIP, FINGER: R3.0 TIP	79% TRANSPARENCY PER JIS K7361-1

REVISIONS		
REV.	DESCRIPTION	DATE
0	INITIAL RELEASE	02/18/08
1		
2		
3		
4		
5		
6		
7		

GENERAL NOTES:

1. TOP FILM OFFSET FROM BOTTOM GLASS 0.020 [0.50].
2. MAX. VOLTAGE & CURRENT: 5 VDC, LESS THEN 1mA AT CONTACT POINT FROM TOP LAYER TO BOTTOM LAYER.
3. OPERATION TEMPERATURE: 0° TO 50°C
4. OPERATION HUMIDITY: < 40°C 20% to 95% RH NO CONDENSATION.
5. STORAGE TEMPERATURE: -10°C TO 60°C
6. FFC BEND R > 2.0MM NO SHARP CREASE
7. SURFACE HARDNESS: 3H AS PER JIS K 5400
8. COSMETIC INSPECTION: GRADE 3x
9. TERMINAL RESISTANCE:
YU-YL = 240-790Ω
XR-XL = 250-710Ω



PINOUT	
1	XL
2	YU
3	XR
4	YL

CAD DRAWING NOTICE <small>THIS DRAWING EMBODIES A PROPRIETARY DESIGN ORIGINATED BY GUNZE ELECTRONICS USA CORPORATION AND SHALL NOT BE DISCLOSED, USED, OR DUPLICATED FOR PROCUREMENT OR MANUFACTURING PURPOSES, UNLESS SPECIFICALLY AUTHORIZED BY GUNZE ELECTRONICS USA CORPORATION. ALL PATENT RIGHTS RELATING HERETO ARE EXPRESSLY RESERVED FOR GUNZE ELECTRONICS USA CORPORATION. This notice shall be marked on any reproduction hereof in whole or part.</small>	DEC. TOLERANCES: XXX = ±0.020 [.XX] = ±[0.51] <small>ANGULAR TOL. = ±1° FRAC. TOL. XXX = ±1/16</small>	DESIGNER: VTRINH 02/18/08 <small>CHKD.</small>	Gunze Electronics USA Corporation 2113 Wells Branch Parkway Austin, Texas 78728 TITLE: SENSOR, 17.0D 4-WIRE PART NO. 100-1560 CUSTOMER ID: GUNZE USA	
	DIM CODE: INCHES [MILLIMETERS]	DESIGN ENG. LHRUIZ 02/18/08		SCALE: 1:1
	CUSTOMER PART #:	VIEW POINT: 		REVISION: 0
	MATERIAL SPEC.	RLSE: 02/18/08		