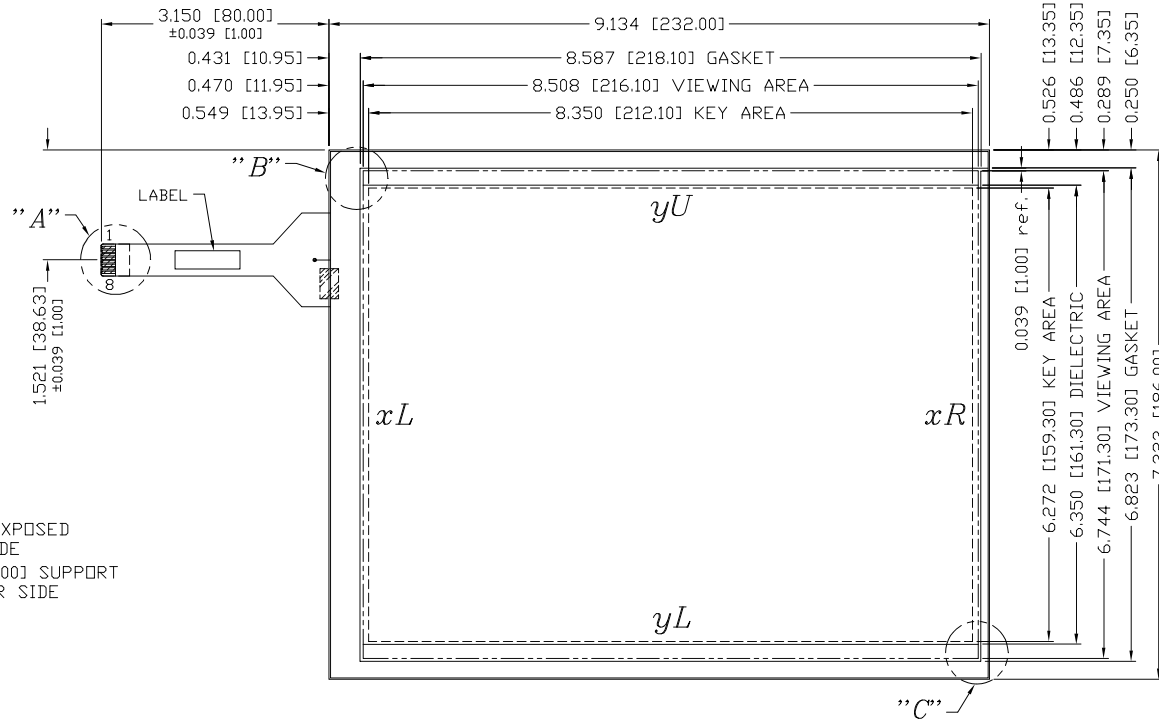
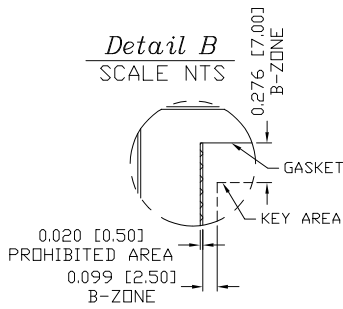


# SENSOR SPECIFICATION

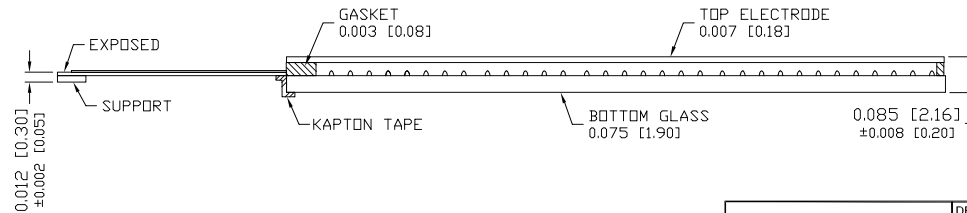
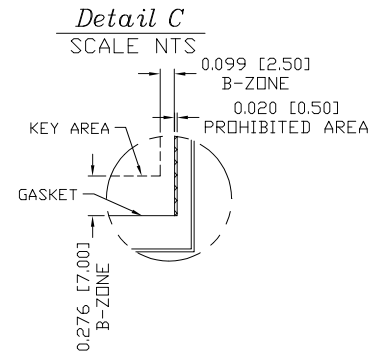
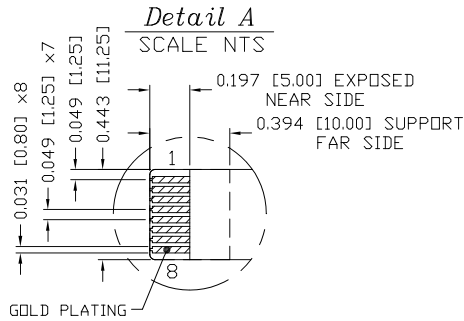
REVISIONS		
REV.	DESCRIPTION	DATE
0	INITIAL RELEASE	04/17/13
A		
B		
C		
D		
E		
F		
G		

LINEARITY	ACTUATION FORCE	OPTICAL PER.
±1.5% AVG. 3% MAX. DEV.	0.10 N (<10 g) Min., 0.79 N (<80 g) Max. STYLUS: R0.8 TIP, FINGER: R3.0 TIP	79% TRANSPARENCY PER JIS K7361-1



### GENERAL NOTES:

1. TOP FILM OFFSET FROM BOTTOM GLASS 0.020 [0.50].
2. OPERATION TEMPERATURE: -10° TO 60°C
3. HUMIDITY: < 40°C 20% to 95% RH NO CONDENSATION.
4. STORAGE TEMPERATURE: -20°C TO 70°C
5. FFC BEND R > 2.0MM NO SHARP CREASE
6. SURFACE HARDNESS: 3H AS PER JIS K 5400
7. COSMETIC INSPECTION: GRADE 3x
8. TERMINAL RESISTANCE:  
5YU-8YL = 250-710Ω  
3XL-4XR = 230-620Ω



PINOUT	
1	XR REF.
2	XL REF.
3	XL
4	XR
5	YU
6	YU REF.
7	YL REF.
8	YL

<b>CAD DRAWING</b>	DEC. TOLERANCES: .XXX = ±0.020 [.XX] = ±[0.51]	DESIGNER: VTRINH 04/17/13	
<b>NOTICE</b>	ANGULAR TOL. = ±1° FRAG. TOL. XXX = ±1/16	CHKD.	
THIS DRAWING EMBODIES A PROPRIETARY DESIGN ORIGINATED BY GUNZE ELECTRONICS USA CORPORATION AND SHALL NOT BE REPRODUCED, USED, OR DUPLICATED FOR PROCUREMENT OR MANUFACTURING PURPOSES, UNLESS SPECIFICALLY AUTHORIZED BY GUNZE ELECTRONICS USA CORPORATION. ALL PATENT RIGHTS RELATING HERETO ARE EXPRESSLY RESERVED FOR GUNZE ELECTRONICS USA CORPORATION. This notice shall be marked on any reproduction hereof in whole or part.	DIM CODE: [ INCHES ] [ MILLIMETERS ]	DESIGNING: LHRUIZ 04/17/13	TITLE: <b>SENSOR, 10.4D 8-WIRE</b>
	CUSTOMER PART: <b>G104-03-2D</b>	VIEW POINT:	PART NO. <b>100-2761</b>
	MATERIAL SPEC.	RLSE: 04/17/13	CUSTOMER ID: <b>GUNZE USA</b>