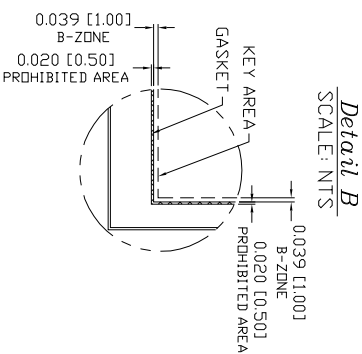
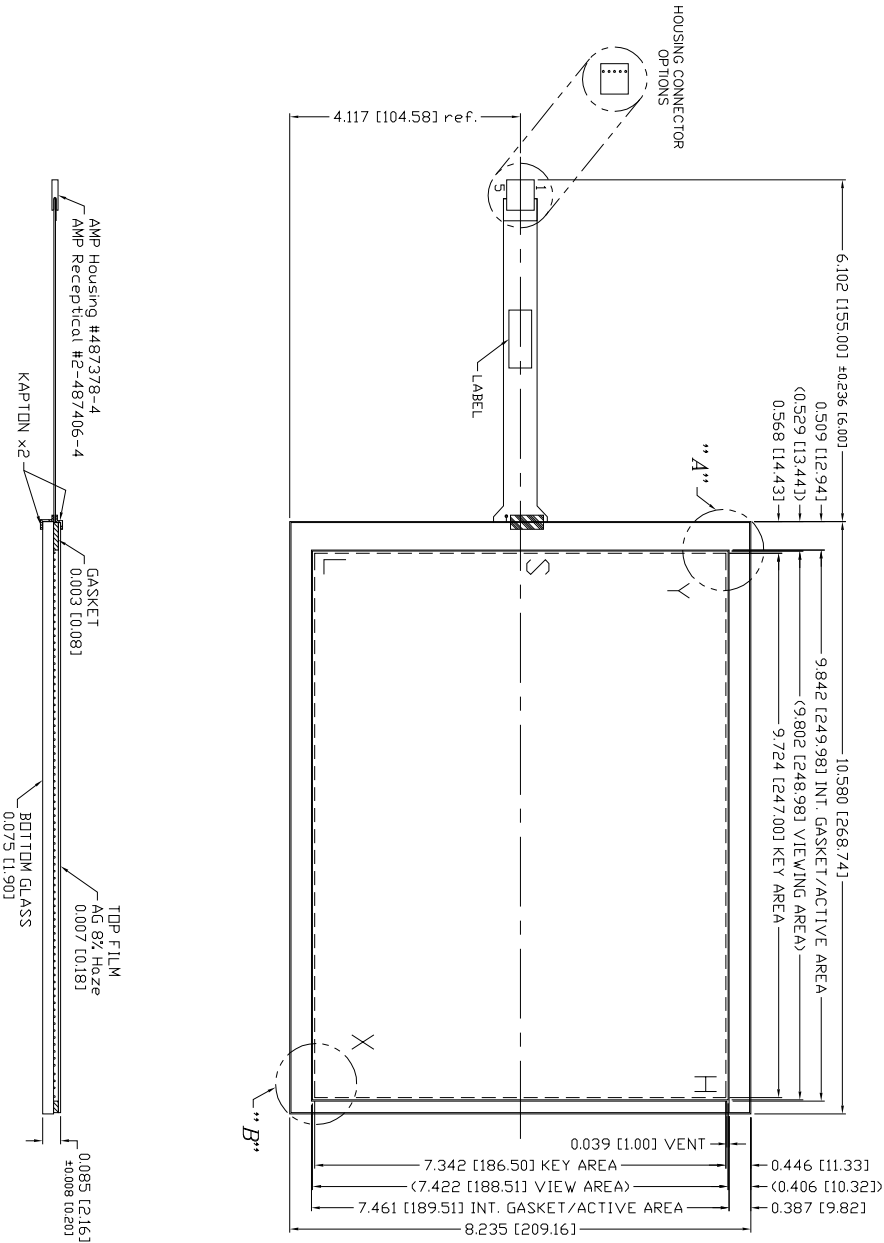
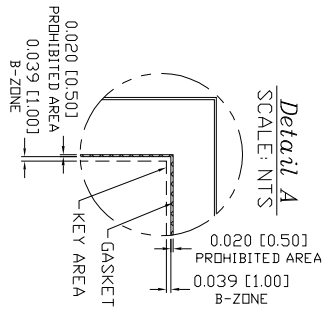


SENSOR SPECIFICATION

LINEARITY	ACTUATION FORCE	OPTICAL PER.
1.5% AVG 3% MAX. DEV.	0.1 N (10g) Min., 0.79 N (80g) Max. STYLUS: R08 TIP, FINGER: R30 TIP	78% TRANSPARENCY PER JIS K7361



REV.	DESCRIPTION	DATE
0	R&D RELEASE	04/17/14
A		
B		
C		
D		
E		
F		
G		

GENERAL NOTES:

- TOPSHEET OFFSET 0.020 [0.50] FROM BOTTOM GLASS.
- MAX. VOLTAGE & CURRENT:
5 VDC, LESS THEN 1mA AT CONTACT POINT FROM TOP LAYER TO BOTTOM LAYER.
- OPERATION TEMPERATURE:
-10°C TO 60°C
- HUMIDITY:
< 40°C TO 95% RH NO CONDENSATION.
- STORAGE TEMPERATURE:
-20°C TO 70°C
- FCC BEND R > 2.0MM NO SHARP CREASES
- SURFACE HARDNESS: 3H DR MORE (AS PER JIS K 5400)
- COSMETIC INSPECTION: GRADE 5X

Detail B

SCALE: NTS

CAD DRAWING

NOTICE

THIS DRAWING EMPLOYS A PROPRIETARY DESIGN ORIGINATED BY GUNZE ELECTRONICS. THE DESIGN IS THE PROPERTY OF GUNZE ELECTRONICS AND IS NOT TO BE REPRODUCED OR TRANSMITTED IN ANY FORM OR BY ANY MEANS, ELECTRONIC OR MECHANICAL, INCLUDING PHOTOCOPYING, RECORDING, OR BY ANY INFORMATION STORAGE AND RETRIEVAL SYSTEM, WITHOUT THE EXPRESS WRITTEN PERMISSION OF GUNZE ELECTRONICS USA CORPORATION. All rights reserved for Gunze Electronics USA Corporation. Reproduction thereof in whole or part.

DEC. TOLERANCES:

XXX = ±0.020
[XX] = ±[0.5]
[XX] = ±[0.5]

DEC. TOLERANCES:	XXX = ±0.020 [XX] = ±[0.5] [XX] = ±[0.5]
ANGULAR TOL. = ±1°	
FRAC. TOL. XX = ±1/16	
DWG. CODE (MILLIMETERS)	
CUSTOMER P/N (INCHES)	160-R1142
MATERIAL SPEC.	

DESIGNER

VTRINH 04/17/14

DESIGNER:	VTRINH 04/17/14
CHKD:	
DESIGN ENG.	
VIEW POINT:	LHRUZ 04/17/14
RELE:	8/05/14

Gunze Electronics USA Corporation

2113 West Branch Parkway
Austin, Texas 78728

TITLE:	SENSOR, 12.1D 5-WIRE
PART NO.	160-2884
CUSTOMER ID.	GUNZE USA



SCALE:	1 : 1
REVISION:	0

P/INPUT	H
1	X
2	S
3	Y
4	L
5	