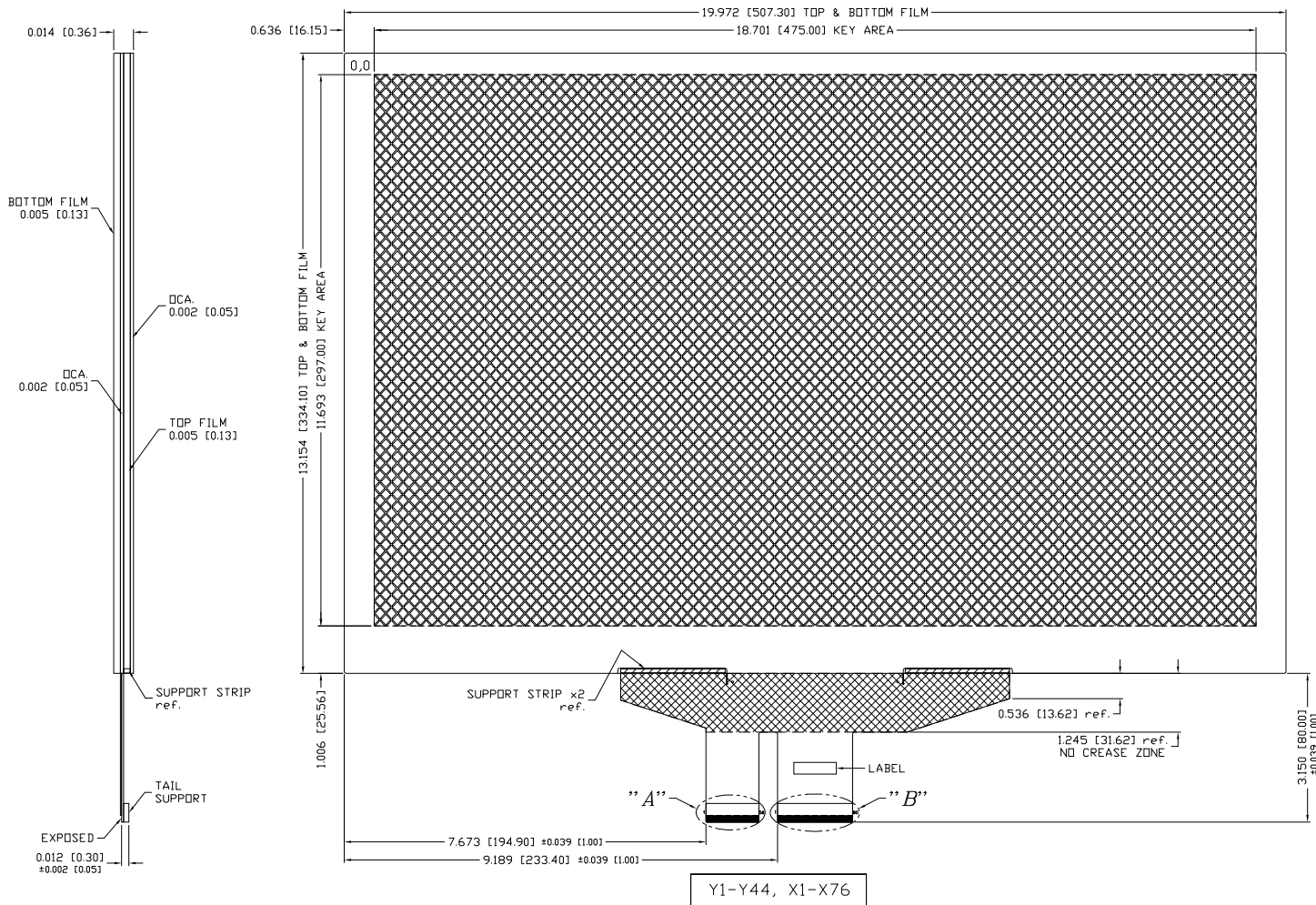
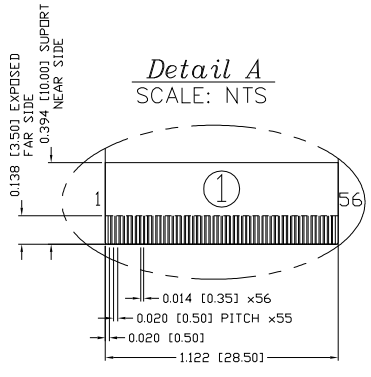
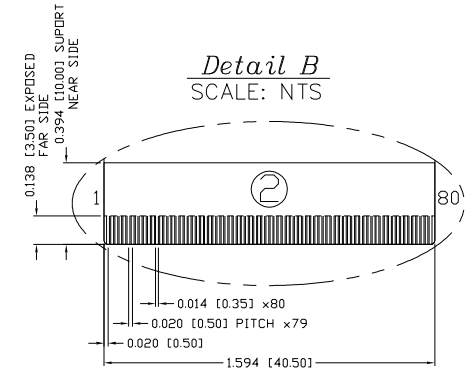
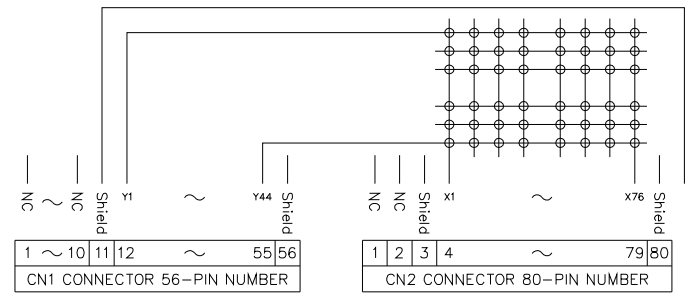


REVISIONS		
REV.	DESCRIPTION	DATE
0	PRELIMINARY RELEASE	12/18/12
A	ECD 230811 Up-date where the Sensor Specification Information is shown.	08/27/13
B		
C		
D		
E		
F		

- GENERAL NOTES:
- MAX. VOLTAGE:
3 V p-p
 - OPERATION TEMPERATURE:
0° TO 50°C
 - HUMIDITY:
< 40°C 20% to 95% RH NO CONDENSATION.
 - STORAGE TEMPERATURE:
-10°C TO 60°C
 - FFC BEND R > 2.0MM
NO SHARP CREASE
 - RECOMMENDED TP CONTROLLER INFO:
UNIVERSAL USB -
PART # 1006-0030
Y-CABLE - PART # 909-0440
USB CABLE - PART # 909-0220
 - OPTICAL PER.
87% TRANSPARENCY
PER JIS K7361-1
 - SHIP ALONG USB CONTROLLER
CABLE AND USB CABLE ASSEMBLY.



Key Matrix



CAD DRAWING NOTICE <small>THIS DRAWING EMBODIES A PROPRIETARY DESIGN ORIGINATED BY GUNZE ELECTRONICS USA CORPORATION AND SHALL NOT BE DISCLOSED, USED, OR REPRODUCED FOR PROMOTION OR MANUFACTURING PURPOSES, UNLESS SPECIFICALLY AUTHORIZED BY GUNZE ELECTRONICS USA CORPORATION. ALL PATENT RIGHTS RELATING HERETO ARE EXPRESSLY RESERVED FOR GUNZE ELECTRONICS USA CORPORATION. This notice shall be marked on any reproduction hereof in whole or part.</small>	DEC. TOLERANCES: .XXX = ±0.012 [.XX] = ±[0.30] ANGULAR TOL. = ±1° FRAC. TOL. XX = ±1/16	DESIGNER: VTRINH 12/18/12 CHKD.	<p>Gunze Electronics USA Corporation 2113 Wells Branch Parkway Austin, Texas 78728</p>				
	DIM CODE: [INCHES] [MILLIMETERS]	DESIGN ENG: LHRUIZ 12/18/12 VIEW POINT:		TITLE: STD. EETI CONTROLLER 22.0D, 44x76; P-CAP, USB.			
CUSTOMER #:	MATERIAL SPEC. P-Cap Internal	DATE: 08/27/13	<table border="1"> <tr> <td>PART NO. 170-3820</td> <td>SCALE: 1 : 1</td> </tr> <tr> <td>CUSTOMER ID. GUNZE USA</td> <td>REVISION: A</td> </tr> </table>	PART NO. 170-3820	SCALE: 1 : 1	CUSTOMER ID. GUNZE USA	REVISION: A
PART NO. 170-3820	SCALE: 1 : 1						
CUSTOMER ID. GUNZE USA	REVISION: A						