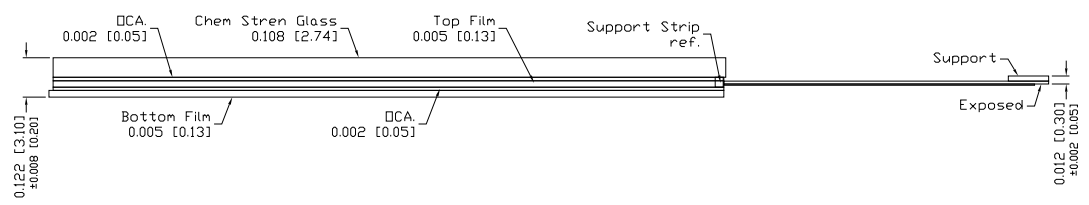
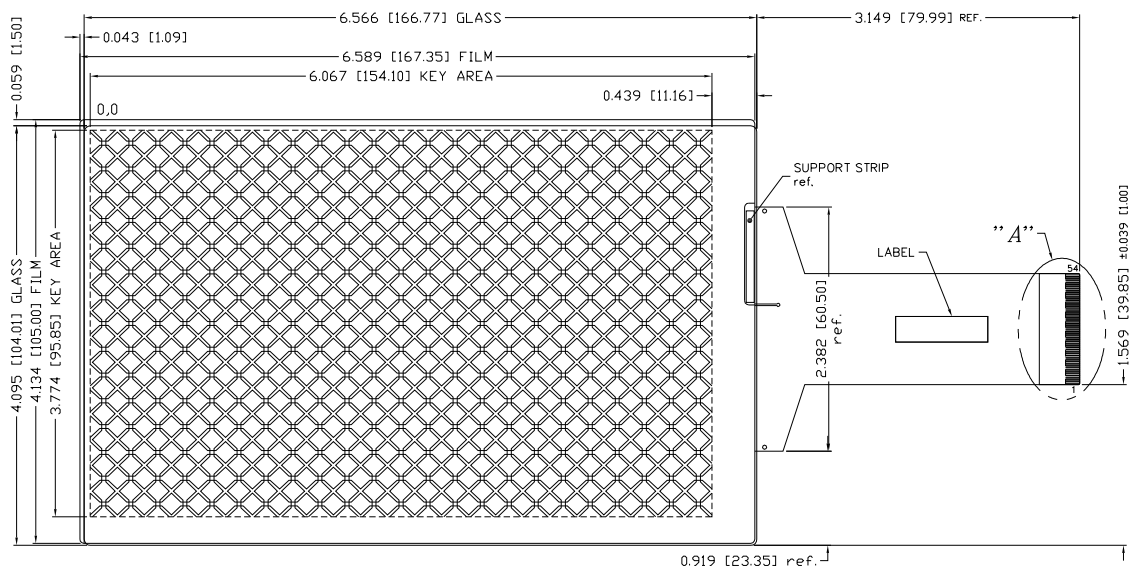
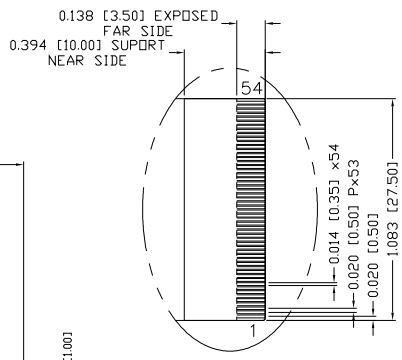


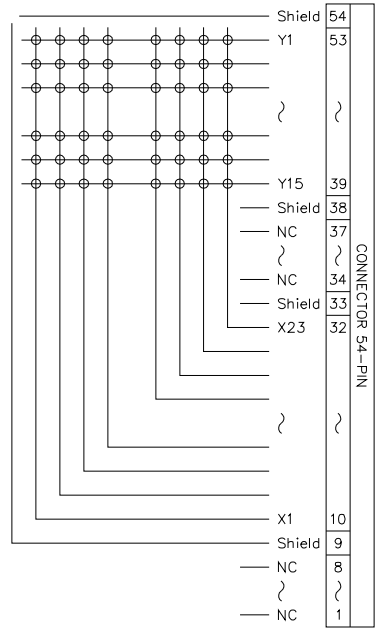
REVISIONS		
REV.	DESCRIPTION	DATE
0	INITIAL RELEASE	02/19/13
A	ECO #230811 UPDATE WHERE SENSOR SPECIFICATION INFORMATION IS SHOWN.	08/26/13
B	CORRECTED GLASS THICKNESS.	10/09/13
C	ECO #240212 UPDATED OPERATION & STORAGE TEMPERATURES.	02/28/14
D		
E		
F		

- GENERAL NOTES:
- MAX. VOLTAGE:
3 V p-p
 - OPERATION TEMPERATURE:
-10°C TO 60°C
 - HUMIDITY:
< 40°C 20% TO 95% RH NO CONDENSATION.
 - STORAGE TEMPERATURE:
-20°C TO 70°C
 - FFC BEND R > 2.0MM
NO SHARP CREASE
 - TP CONTROLLER INFO:
USB - PART # TBD
CABLE - PART # TBD
 - SHIP ALONG USB CONTROLLER
CABLE AND USB CABLE ASSEMBLY.
 - OPTICAL PER.
87% TRANSPARENCY
PER JIS K7361-1

Detail A
SCALE: NTS



Key Matrix



<p>CAD DRAWING NOTICE</p> <p>THIS DRAWING EMBODIES A PROPRIETARY DESIGN ORIGINATED BY GUNZE ELECTRONICS USA CORPORATION AND SHALL NOT BE DISCLOSED, USED, OR DUPLICATED FOR PROCUREMENT OR MANUFACTURING PURPOSES, UNLESS SPECIALLY AUTHORIZED BY GUNZE ELECTRONICS USA CORPORATION. ALL PATENT RIGHTS RELATING HERETO ARE EXPRESSLY RESERVED FOR GUNZE ELECTRONICS USA CORPORATION.</p> <p>This notice shall be marked on any reproduction hereof in whole or part.</p>	<p>DEC. TOLERANCES: .XXX = ±0.012 [.XX] = ±[0.30]</p> <p>ANGULAR TOL = ±1° FRAC. TOL. X/X = ±1/16</p> <p>DIM CODE: [INCHES] [MILLIMETERS]</p> <p>CUSTOMER #:</p> <p>MATERIAL SPEC: STD. EETI CONTROLLER</p>	<p>DESIGNER: VTRINH 02/19/13</p> <p>CHKD.</p> <p>DESIGN ENG: LHRUIZ 02/19/13</p> <p>VIEW POINT:</p> <p>R/S: 02/28/14</p>	<p>Gunze Electronics USA Corporation 2113 Wells Branch Parkway Austin, Texas 78728</p> <p>TITLE: 7.0D, 15x23; P-CAP</p> <p>PART NO. 170-3871</p> <p>CUSTOMER ID: GUNZE USA</p>	<p>SCALE: 2 : 1</p> <p>REVISION: C</p>