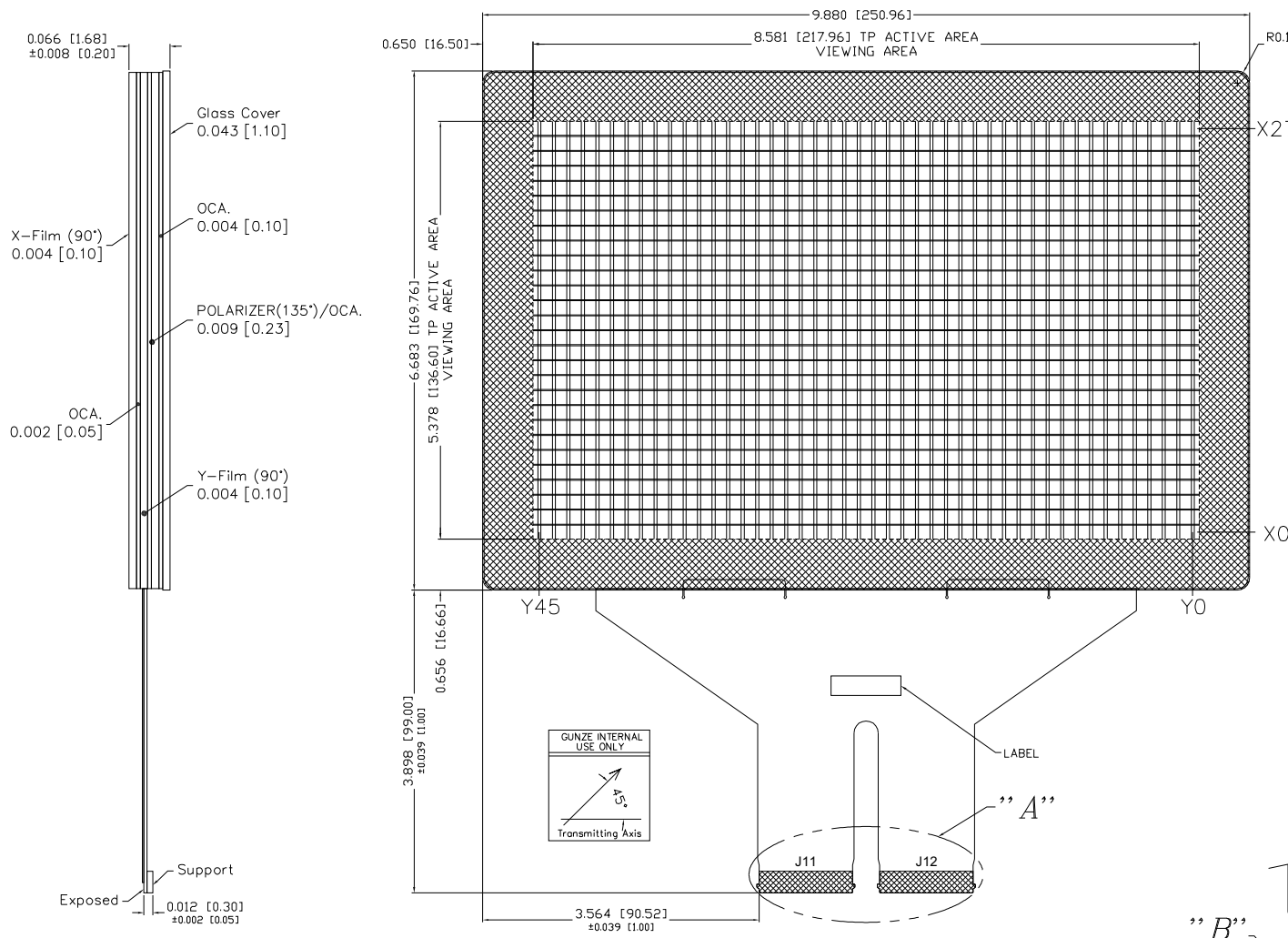
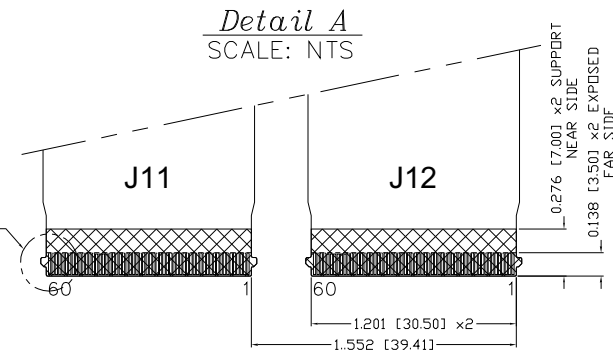
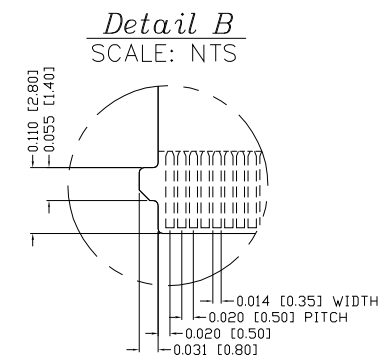


TOUCH PANEL TRANSMITTING AXIS IS 45°, ABSORPTION AXIS (EXTINCTION) IS 135°

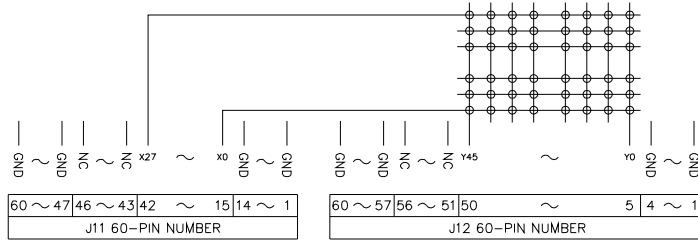


REVISIONS		
REV.	DESCRIPTION	DATE
0	INITIAL RELEASE	07/26/13
A	ECO 230811: Up-date where the Sensor Specification Information is shown.	08/27/13
B		
C		
D		
E		
F		

- GENERAL NOTES:
- MAX. VOLTAGE: 3 V p-p
 - OPERATION TEMPERATURE: 0° TO 50°C
 - HUMIDITY: < 40°C 20% TO 95% RH NO CONDENSATION.
 - STORAGE TEMPERATURE: -10°C TO 60°C
 - FFC BEND R > 2.0MM NO SHARP CREASE
 - TP CONTROLLER INFO: USB - PART #1005-0070 CABLE - PART # TBD
 - OPTICAL PER. 84% TRANSPARENCY PER JIS K7361-1



Key Matrix



CAD DRAWING NOTICE	DEC. TOLERANCES: .XXX = ±0.012 [.XX] = ±[0.30]	DESIGNER: VTRINH 07/26/13
	ANGULAR TOL. = ±1° FRAC. TOL. XX = ±1/16	CHKD:
THIS DRAWING EMBODIES A PROPRIETARY DESIGN ORIGINATED BY GUNZE ELECTRONICS USA CORPORATION AND SHALL NOT BE DISCLOSED, USED, OR DUPLICATED FOR PROCUREMENT OR MANUFACTURING PURPOSES UNLESS SPECIFICALLY AUTHORIZED BY GUNZE ELECTRONICS USA CORPORATION. ALL PATENT RIGHTS RELATING HERETO ARE EXPRESSLY RESERVED FOR GUNZE ELECTRONICS USA CORPORATION. This notice shall be marked on any reproduction hereof in whole or part.	DIM CODE: INCHES [MILLIMETERS]	DESIGN ENG. LHRUIZ 07/26/13
	CUSTOMER #:	VIEWPOINT:
MATERIAL SPEC. P-Cap Internal	RELEASE: 08/27/13	SCALE: 2:1

GUNZE USA

Gunze Electronics USA Corporation
2113 Wells Branch Parkway
Austin, Texas 78728

TITLE: 45° Polarizer
PART NO. 10.1D, 28x46; P-CAP. ATMEL
SCALE: 2:1

CUSTOMER ID: GUNZE USA
REVISION: A