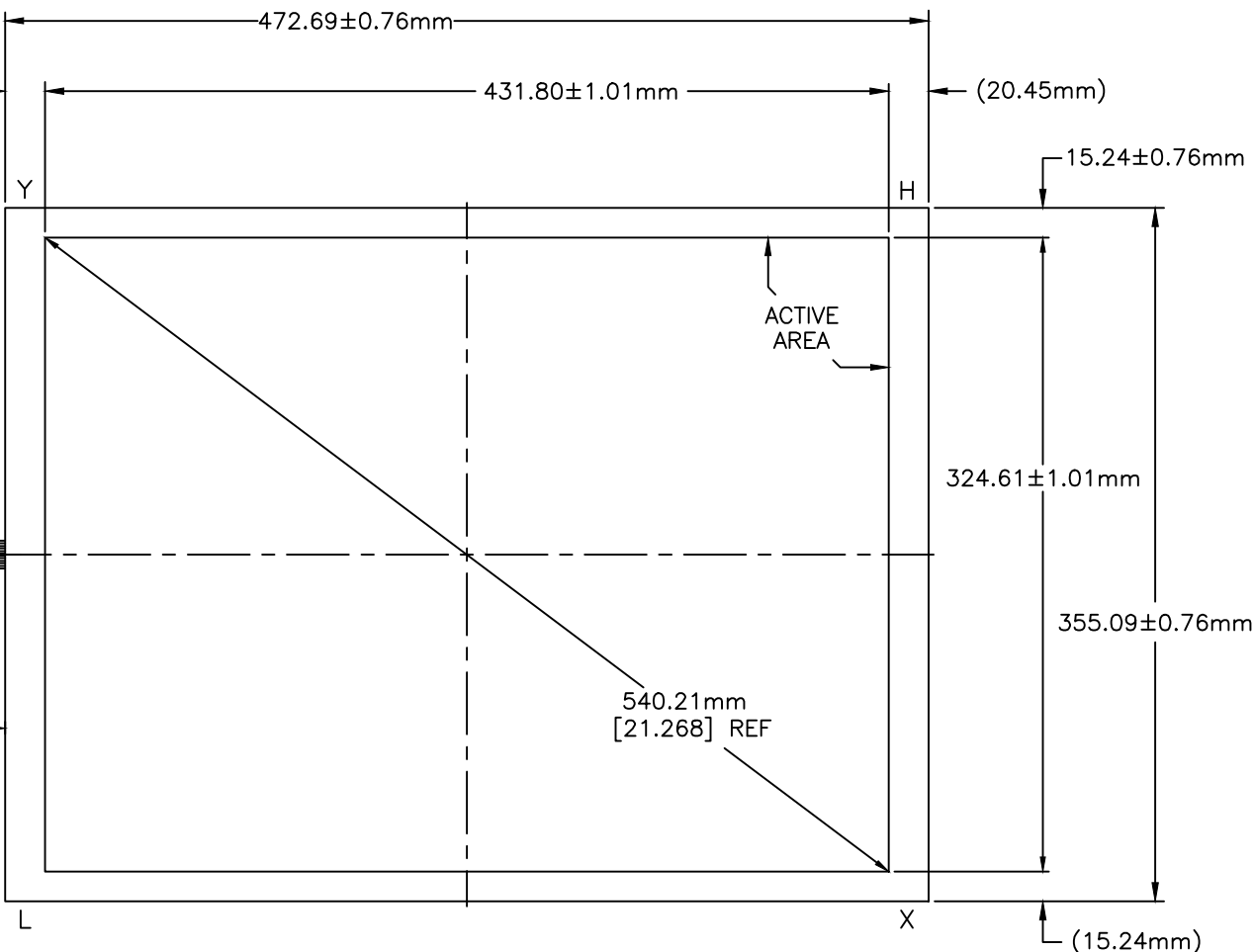
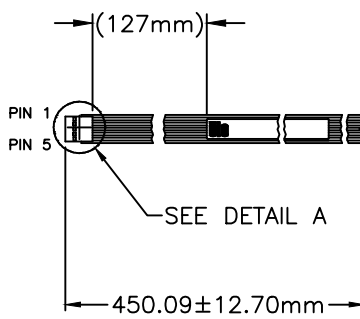
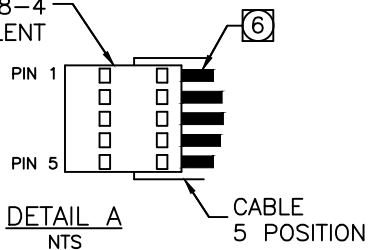


THIS DRAWING IS A CONTROLLED DOCUMENT. PART NO. MS600252

CONNECTOR PINOUT	
PIN NO.	DESIGNATION
1	H
2	X
3	S
4	Y
5	L

TYCO (AMP)
487378-4
OR EQUIVALENT



NOTES:

- GLASS THICKNESS 3.18mm NOMINAL.
 - FINISHED PART THICKNESS 3.48mm NORMAL.
 - FINISHED PART THICKNESS AT CABLE ATTACHMENT AREA 4.24mm MAX.
 - LABEL TO BE ATTACHED TO FRONT SIDE OF CABLE.
 - CABLE IS ATTACHED TO THE LEFT SIDE OF TOUCHSCREEN AT CENTER POINT AS SHOWN.
- ④ PIN 1 TO BE LOCATED AS SHOWN (SEE DETAIL A).

THIS INFORMATION IS CONFIDENTIAL AND PROPRIETARY TO ELO. IT IS TO BE KEPT CONFIDENTIAL AND NOT DISCLOSED TO ANYONE OTHER THAN ELO PERSONNEL, WITHOUT THE APPROVATION FROM ELO (www.elo.com).

LOC	
DIST	⑥

P	LTR	REVISION RECORD	DATE	DWG	APVD
C		REV PER ECO-13-0174, REMOVED TOUCH SOLUTIONS FROM LOGO	06/01/13	DI	
B		REVISED PER ECO-12-015013 ELO TITLE BLOCK WAS TE	09/10/12	DI	
A		INITIAL RELEASE	03/13/06		

DIMENSIONS: mm		TOLERANCES UNLESS OTHERWISE SPECIFIED: 0 PLC ± - 2 PLC ± - 3 PLC ± - 4 PLC ± -
ANGLES ± -		N/A
SURFACE TEXTURE		

DWG	MATERIAL ACCU TOUCH	HEAT TREAT
CHK		
APVD		
NAME DIMENSIONAL DRAWING, SCN-A5-FLT21.3-001-0H1-R		
SCALE 1:1	SIZE A2	DRAWING NO MS600252
SHEET 1 of 1		REV C