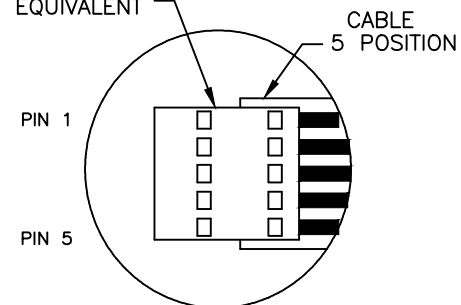


USED ON E212465

TYCO (AMP)
487378-4
OR EQUIVALENT

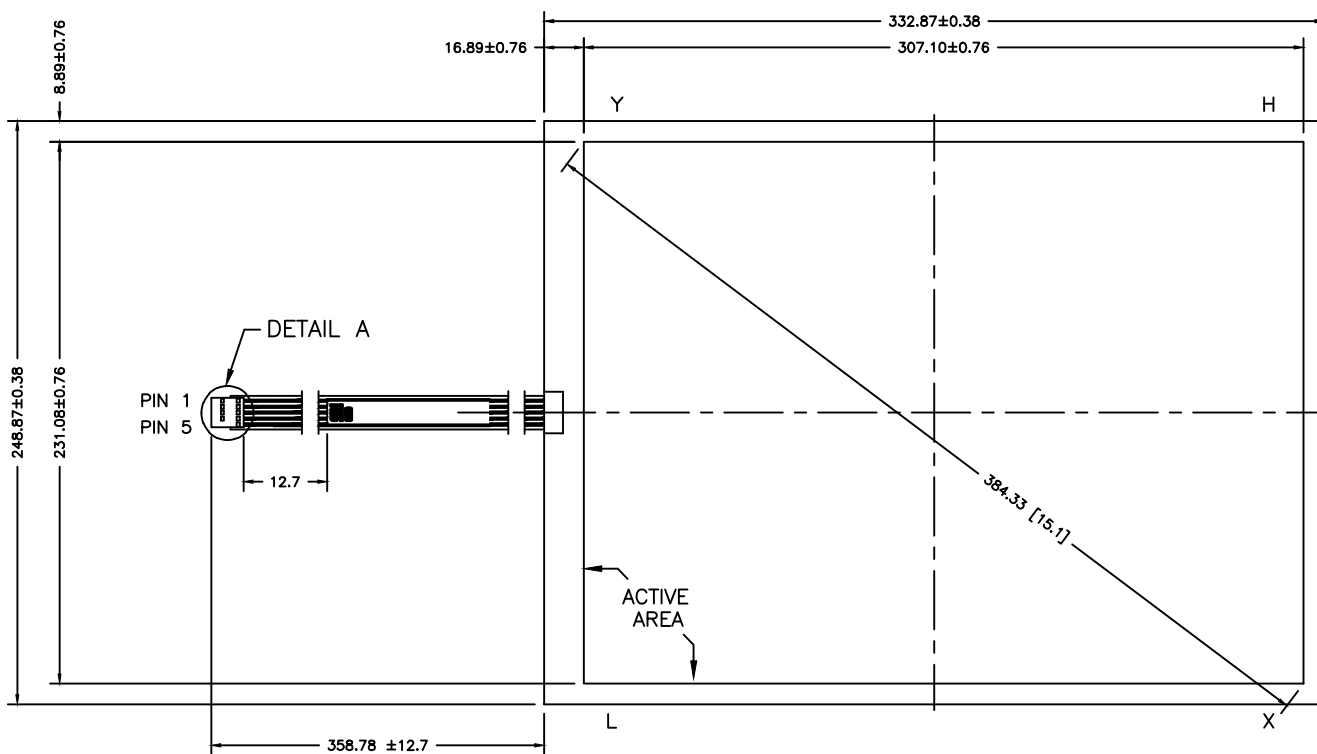


DETAIL A
NTS

CONNECTOR PINOUT	
PIN NO.	DESIGNATION
1	H
2	X
3	S
4	Y
5	L

THIS DRAWING IS A CONTROLLED DOCUMENT.

FORM NO. MS500761



- NOTES:
1. GLASS THICKNESS 3.18mm NOMINAL.
2. FINISHED PART THICKNESS 3.48 +0.5mm/-0.0mm.

REV	DESCRIPTION	DATE	BY	CHK
D	REV PER ECO-13-0127, REMOVED TOUCH SOLUTIONS FROM LOGO	05/10/13	DI	
C	ECO-12-014008: REBRANDED TO ELO TOUCH SOLUTIONS	8/22/12	BC	SS
B	ECO-11-007278 FINISHED PART THICKNESS 3.48 +0.5mm/-0.0mm.	4/13/11	RB	
P	LTR REVISION RECORD			

DIMENSIONS:	
mm	
ANGLES±	
SURFACE TEXTURE	N/A

DRW	DATE	MATERIAL	HEAT TREAT
Q. CHUNG	10/17/05	ACCUTOUCH	N/A
CHK			N/A
APVD	10/17/05		
Q. CHUNG			
NAME: DIMENSIONAL DRAWING, SCN-AT-FLT15.0-Z01-OH1-R			
SCALE	SIZE	DRAWING NO	SHEET OF REV
1:1	A2	MS500761	1 of 1 D

THE INFORMATION CONTAINED HEREIN IS UNCLASSIFIED EXCEPT WHERE SHOWN OTHERWISE. IT IS THE PROPERTY OF ELO TOUCH SOLUTIONS AND IS NOT TO BE DISCLOSED TO ANYONE, OTHER THAN ELO PERSONNEL, WITHOUT THE APPROVAL OF ELO TOUCH SOLUTIONS.

LOC
DIST

3307-7 (5/11)

8 7 6 5 4 3 2 1