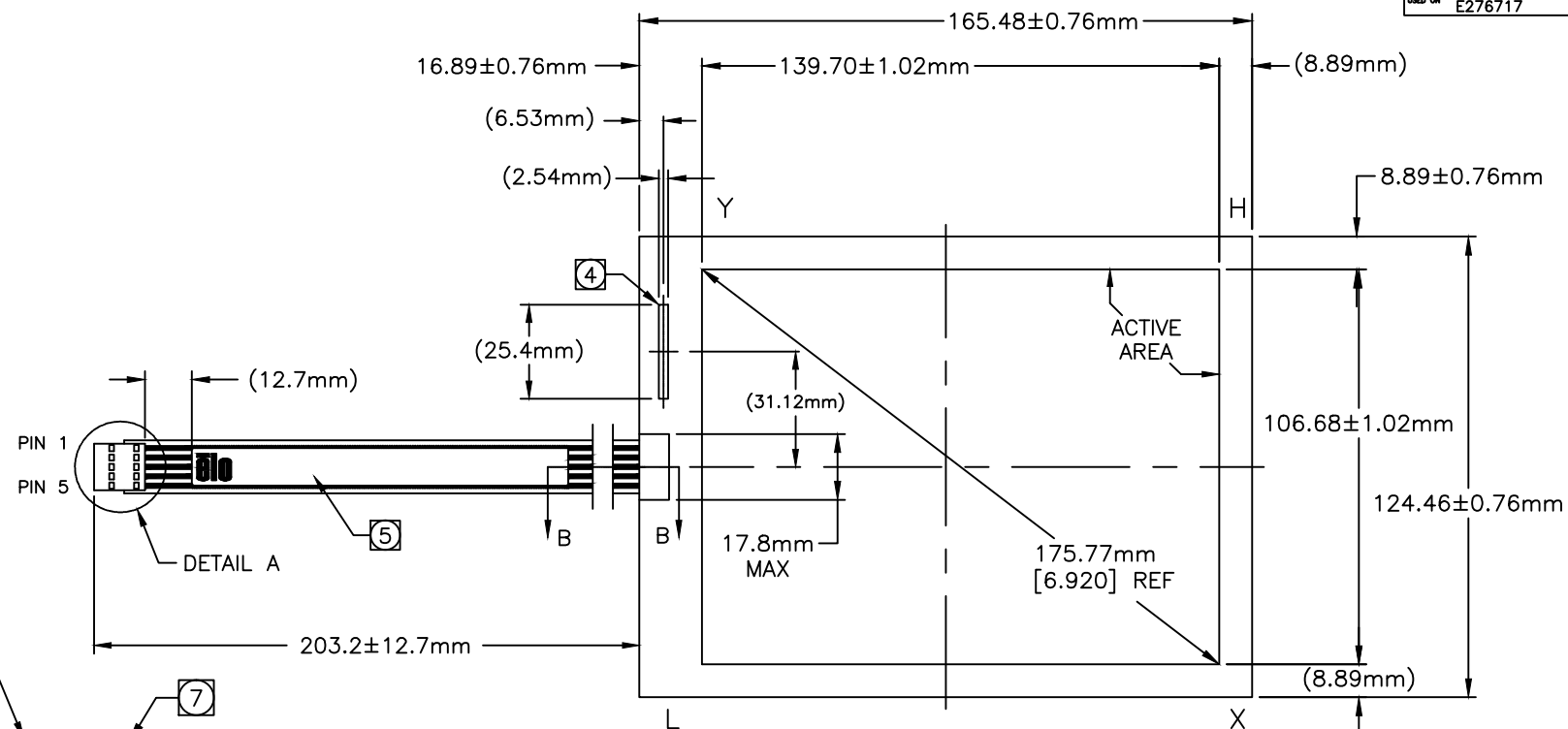
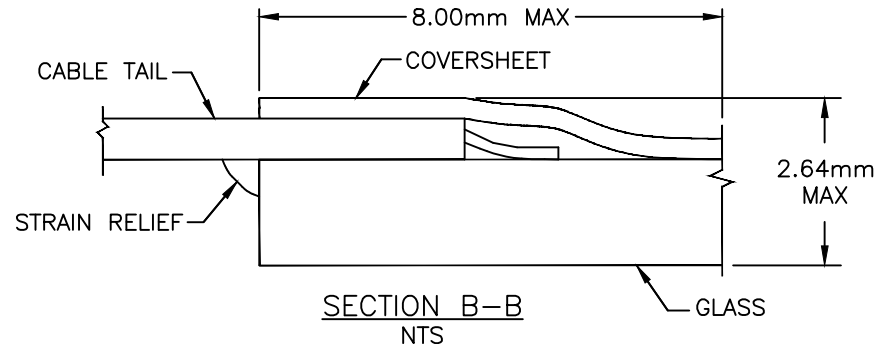
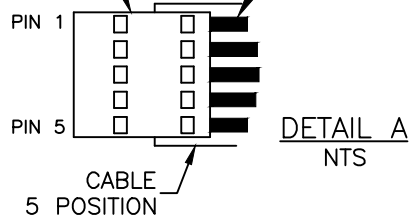


THIS DRAWING IS A CONTROLLED DOCUMENT. (FORM NO. MS600257)

CONNECTOR PINOUT	
PIN NO.	DESIGNATION
1	H
2	X
3	S
4	Y
5	L



TYCO (AMP)
487378-4
OR EQUIVALENT



NOTES:

- GLASS THICKNESS 1.60mm NOMINAL.
- FINISHED PART THICKNESS 1.88mm NOMINAL.
- FINISHED PART THICKNESS AT CABLE ATTACHMENT AREA 2.64mm MAX.
- FINISHED PART THICKNESS AT COVERSHEET CONTACT 2.29mm MAX.
- LABEL TO BE ATTACHED TO FRONT SIDE OF CABLE.
- CABLE IS ATTACHED TO THE LEFT SIDE OF TOUCHSCREEN AT CENTER POINT AS SHOWN.
- PIN 1 TO BE LOCATED AS SHOWN (SEE DETAIL A).

REV	DESCRIPTION	DATE	DWG	APP'D
C	REV PER ECO-13-0174, REMOVED TOUCH SOLUTIONS FROM LOGO	06/01/13	DI	
B	REVISED PER ECO-12-015013 ELO TITLE BLOCK WAS TE	09/10/12	DI	
A	INITIAL RELEASE	03/15/06		
P	LTR	REVISION RECORD	DATE	DWG APP'D

DIMENSIONS: mm		TOLERANCES UNLESS OTHERWISE SPECIFIED: 0 PLC ± - 1 PLC ± - 2 PLC ± - 3 PLC ± - 4 PLC ± -
ANGLES ± -		SURFACE TEXTURE N/A

DWN	MATERIAL ACCUTOUCH	HEAT TREAT
CHK		
APP'D		
NAME DIMENSIONAL DRAWING, SCN-A5-FLT07.1-002-0H1-R		
SCALE 1:1	SIZE A2	DRAWING NO. MS600257
SHEET 1	OF 1	REV C

THIS INFORMATION IS CONFIDENTIAL AND PROPRIETARY TO ELO TOUCH SOLUTIONS. IT IS NOT TO BE DISCLOSED TO ANYONE, OTHER THAN ELO PERSONNEL, WITHOUT THE APPROVATION FROM ELO (www.elotouch.com).