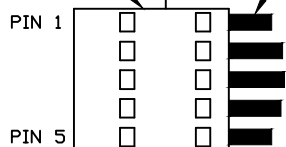


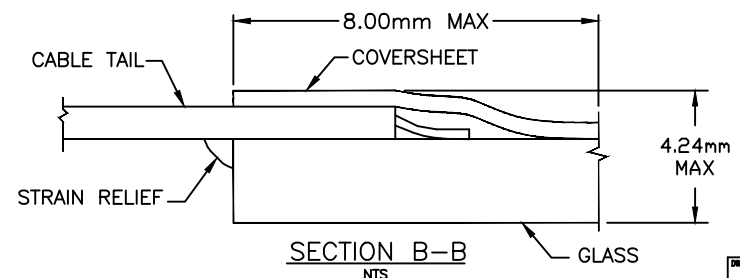
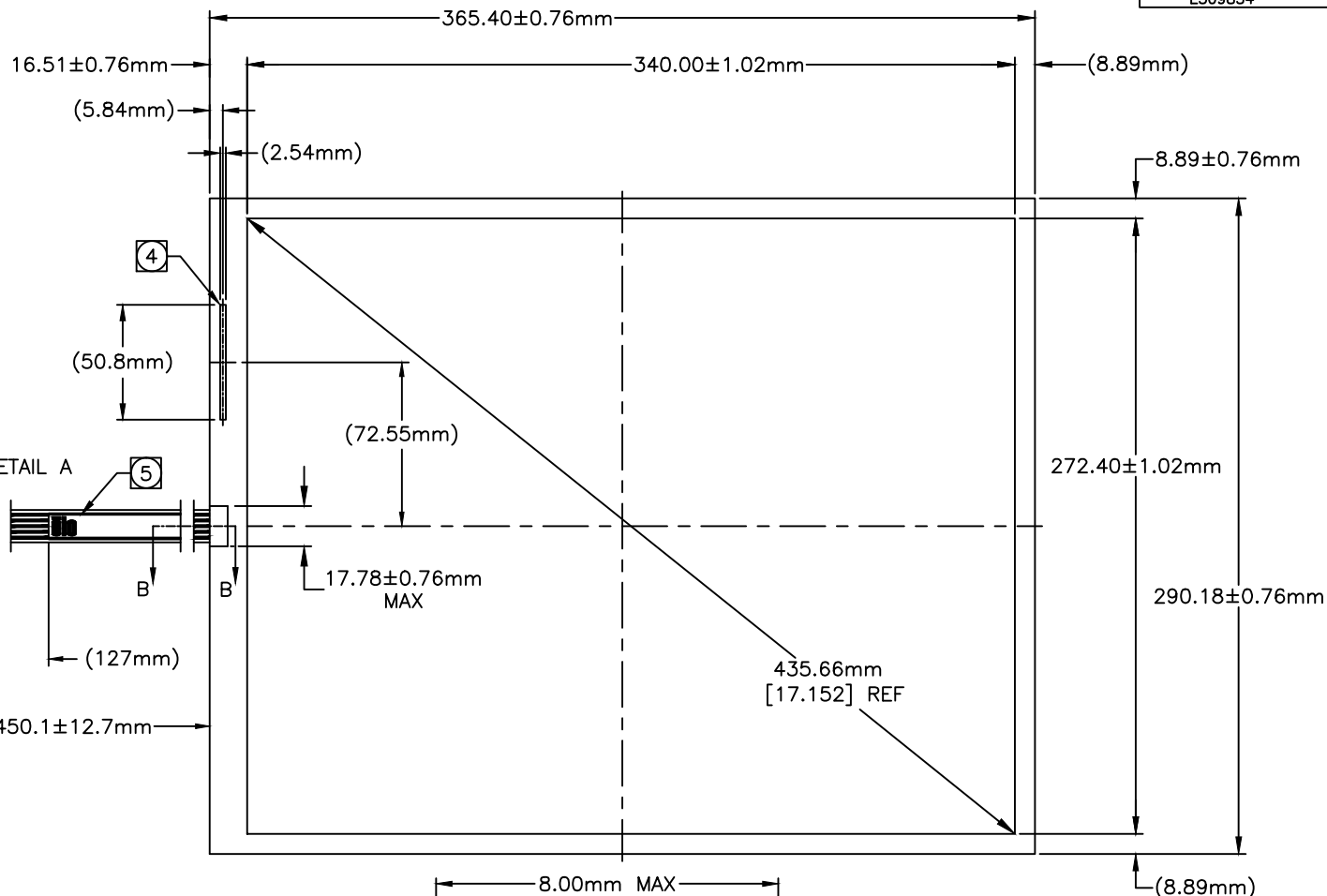
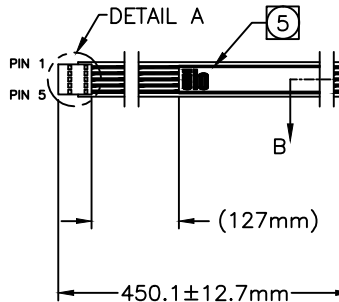
THIS DRAWING IS A CONTROLLED DOCUMENT. DRAWING NO. MS600279

CONNECTOR PINOUT	
PIN NO	DESIGNATION
1	H
2	X
3	S
4	Y
5	L

TYCO (AMP)
487378-4
OR EQUIVALENT



CABLE 5 POSITION
DETAIL A
NTS



- NOTES:**
- GLASS THICKNESS 3.18mm NOMINAL.
 - FINISHED PART THICKNESS 3.48mm NOMINAL.
 - FINISHED PART THICKNESS AT CABLE ATTACHMENT AREA 4.24mm MAX.
 - FINISHED PART THICKNESS AT COVERSHEET CONTACT 3.86mm MAX.
 - LABEL TO BE ATTACHED TO FRONT SIDE OF CABLE.
 - CABLE IS ATTACHED TO THE LEFT SIDE OF TOUCHSCREEN AT CENTER POINT AS SHOWN.
 - PIN 1 TO BE LOCATED AS SHOWN (SEE DETAIL A).

P	LTR	REVISION RECORD	DATE	DWG	APVD
C		REV PER ECO-13-0174, REMOVED TOUCH SOLUTIONS FROM LOGO	06/01/13	DI	
B		REVISED PER ECO-12-015013 ELO TITLE BLOCK WAS TE	09/10/12	DI	
A		INITIAL RELEASE	02/17/06		

DIMENSIONS: mm		TOLERANCES UNLESS OTHERWISE SPECIFIED: 0 PLC ± - 1 PLC ± - 2 PLC ± - 3 PLC ± - 4 PLC ± -
ANGLES ± -		
SURFACE TEXTURE N/A		

DWN	MATERIAL ACCUTOUCH	HEAT TREAT
CHK		
APVD		
NAME DIMENSIONAL DRAWING, SCN-A5-FLT17.1-Z01-0H1-R		
SCALE 1:1	SIZE A2	DRAWING NO MS600279
SHEET 1 of 1		REV C

THIS INFORMATION IS CONFIDENTIAL AND PROPRIETARY TO ELO TOUCH SOLUTIONS. IT IS NOT TO BE DISCLOSED TO ANYONE, OTHER THAN ELO PERSONNEL, WITHOUT THE AUTHORIZATION FROM ELO (www.elotouch.com).