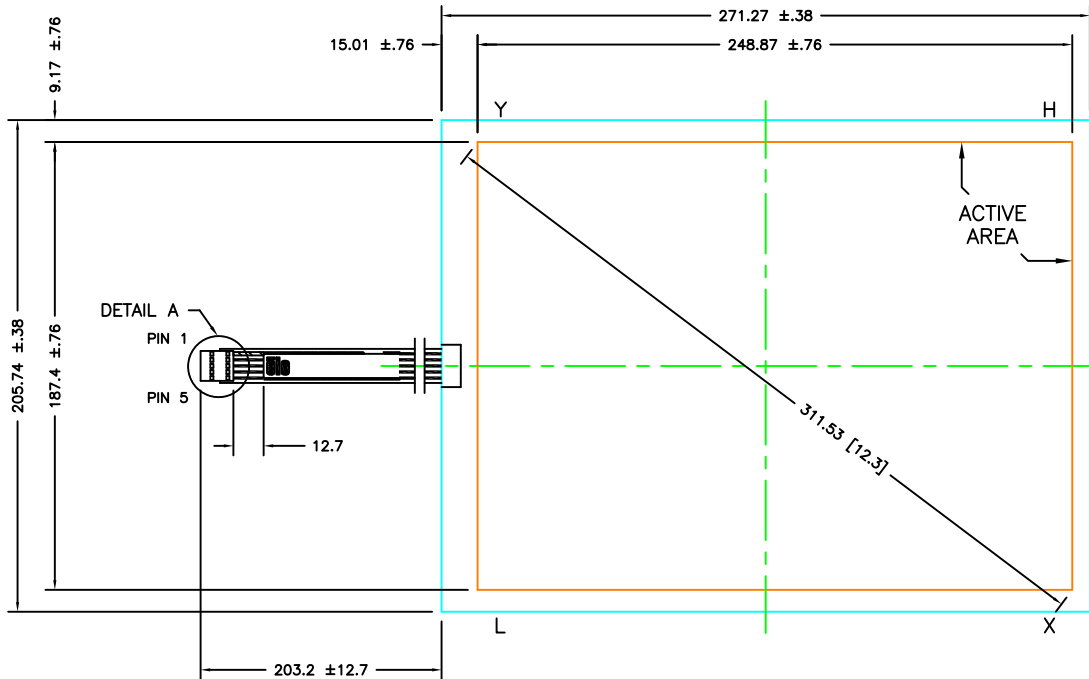


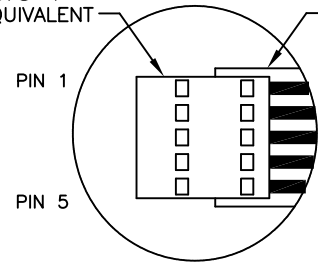
PINOUT	
PIN NO.	DESIGNATION
1	H
2	X
3	S
4	Y
5	L

THIS DRAWING IS A CONTROLLED DOCUMENT. DWM NO. MS500646



TYCO (AMP)
487378-4
OR EQUIVALENT

CABLE
5 POSITION



DETAIL A
NTS

- NOTES:
- GLASS THICKNESS 2.36mm NOMINAL.
 - FINISHED PART THICKNESS 2.67 +0.5mm/-0.0mm.

REV	DESCRIPTION	DATE	BY	CHK
D	REV PER ECO-13-0127, REMOVED TOUCH SOLUTIONS FROM LOGO	05/10/13	DI	
C	ECO-12-014006: REBRANDED TO ELO TOUCH SOLUTIONS	8/22/12	BC	SS
B	ECO-11-007278 FINISHED PART THICKNESS 2.67 +0.5mm/-0.0mm.	4/13/11	RB	
P	LTR REVISION RECORD		DWM	APVD

DIMENSIONS:	mm
TOLERANCES UNLESS OTHERWISE SPECIFIED:	
0 PLC	± .8
1 PLC	± .4
2 PLC	± .2
3 PLC	± -
4 PLC	± -
ANGLES:	
SURFACE TEXTURE	N/A

DWG	Q. CHUNG	10/14/05	MATERIAL	ACCUTOUCH	HEAT TREAT	N/A					
CHK						N/A					
APVD	Q. CHUNG	10/14/05									
NAME	DIMENSIONAL DRAWING, SCN-AT-FLT12.1-Z01-0H1-R										
SCALE	1:1	SIZE	A2	DRAWING NO.	MS500646	SHEET	1	OF	1	REV	D

THIS INFORMATION IS CONFIDENTIAL AND PROPRIETARY TO ELO. IT IS NOT TO BE DISCLOSED TO ANYONE OTHER THAN ELO PERSONNEL, WITHOUT PERMISSION FROM ELO (www.elotouch.com).

LOC
DIST